



Message Implementation Guideline

CODECO

based on

CODECO

Container gate-in/gate-out report message

UN D.16B S4

Version: 1
Variant: 0
Issue date: 2017/09/17
Author: SARS EDI TEAM

1 Message Structure..... 2
2 Branching Diagram 4
3 Segments 7

Structure / Table of Contents

Counter	No	Tag	St	MaxOcc	Level	Content
0000	1	UNB	M	1	0	Interchange header
0010	2	UNH	M	1	0	Message header
0020	3	BGM	M	1	0	Beginning of message
0050		SG1	C	9	1	DOCUMENT TO BE AMENDED
0060	4	RFF	M	1	1	Reference
0050		SG1	C	9	1	CALL PURPOSE
0060	5	RFF	M	1	1	Reference
0050		SG1	C	9	1	PRINCIPAL CARRIER CONVEYANCE NUMBER
0060	6	RFF	M	1	1	Reference
0080		SG2	C	1	1	TDT-SG3-SG3
0090	7	TDT	M	1	1	Transport information
0120		SG3	C	9	2	PLACE/PORT OF DISCHARGE
0130	8	LOC	M	1	2	Place/location identification
0140	9	DTM	C	9	3	ARRIVAL DATE/TIME
0120		SG3	C	9	2	PLACE/PORT OF LOADING
0130	10	LOC	M	1	2	Place/location identification
0140	11	DTM	C	9	3	ARRIVAL DATE/TIME
0140	12	DTM	C	9	3	DEPARTURE DATE/TIME
0150		SG4	M	9	1	MASTER CARGO CARRIER CODE
0160	13	NAD	M	1	1	Name and address
0150		SG4	M	9	1	MESSAGE SENDER
0160	14	NAD	M	1	1	Name and address
0150		SG4	M	9	1	OUTTURN PROVIDER CODE
0160	15	NAD	M	1	1	Name and address
0370		SG10	M	9999	1	EQD-RFF-RFF-RFF-RFF-RFF-DTM-MEA-SEL-SG12-NAD-NAD
0380	16	EQD	M	1	1	Equipment details
0390	17	RFF	C	99	2	BOOKING NUMBER
0390	18	RFF	C	99	2	EXTERNAL REFERENCE
0390	19	RFF	C	99	2	CARGO TYPE INDICATOR
0390	20	RFF	C	99	2	MASTER TRANSPORT DOCUMENT NUMBER
0390	21	RFF	C	99	2	TRANSPORT DOCUMENT NUMBER
0410	22	DTM	C	99	2	Date/time/period
0430	23	MEA	C	99	2	Measurements
0450	24	SEL	C	4	2	Seal number
0540		SG12	C	9	2	TDT-SG13
0550	25	TDT	M	1	2	Transport information
0580		SG13	C	9	3	LOC
0590	26	LOC	M	1	3	Place/location identification

Counter = Counter of segment/group within the standard
 No = Consecutive segment number
 MaxOcc = Maximum occurrence of the segment/group

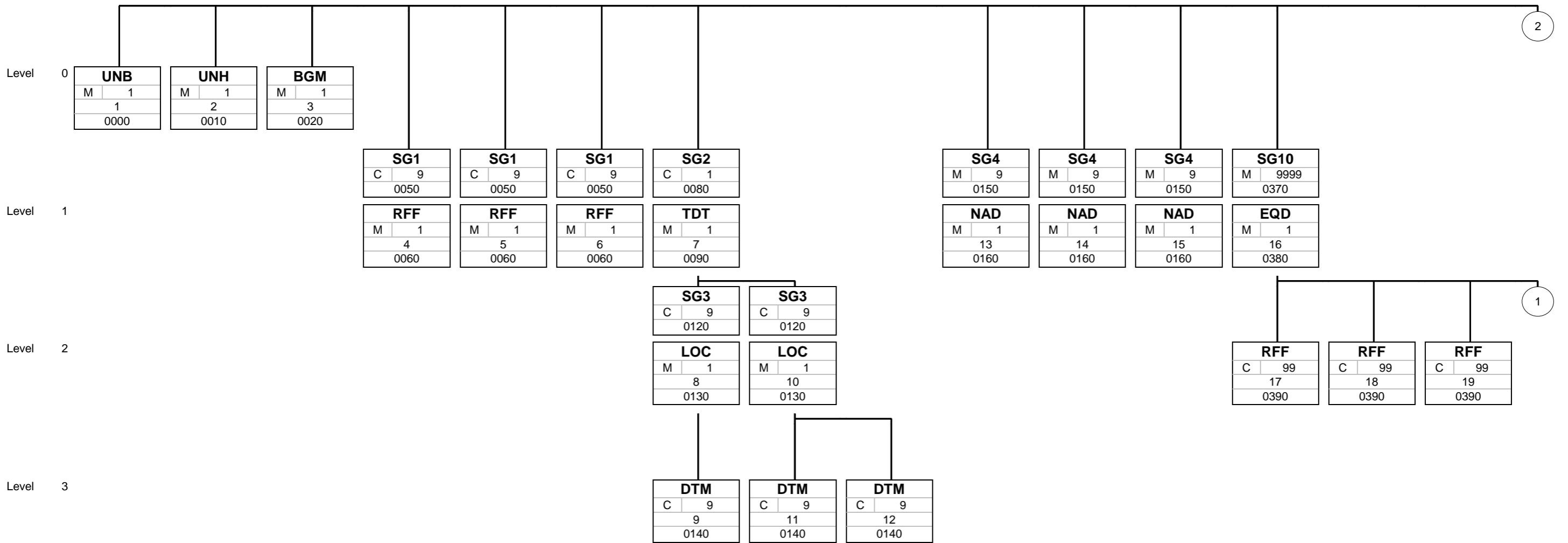
St = Status
 EDIFACT: M=Mandatory, C=Conditional
 User specific: R=Required, O=Optional, D=Dependent,
 A=Advised, N=Not used

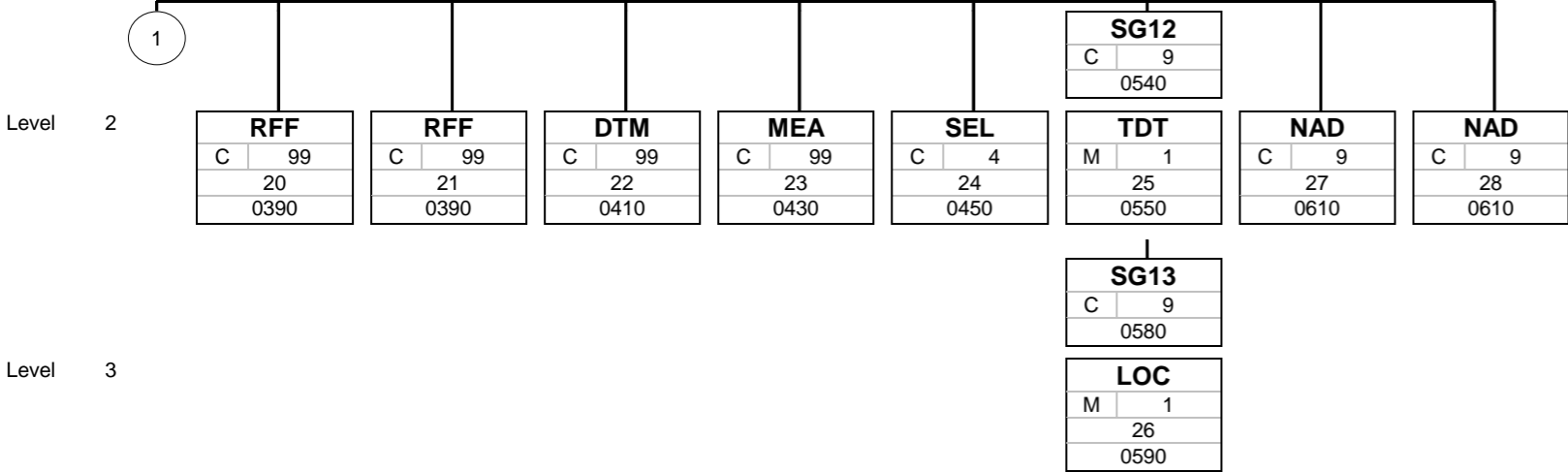
Counter	No	Tag	St	MaxOcc	Level	Content
0610	27	NAD	C	9	2	MASTER CARGO CARRIER CODE
0610	28	NAD	C	9	2	CARGO CARRIER CODE
0720	29	CNT	C	1	0	Control total
0730	30	UNT	M	1	0	Message trailer
0000	31	UNZ	M	1	0	Interchange trailer

Counter = Counter of segment/group within the standard
 No = Consecutive segment number
 MaxOcc = Maximum occurrence of the segment/group

St = Status
 EDIFACT: M=Mandatory, C=Conditional
 User specific: R=Required, O=Optional, D=Dependent,
 A=Advised, N=Not used

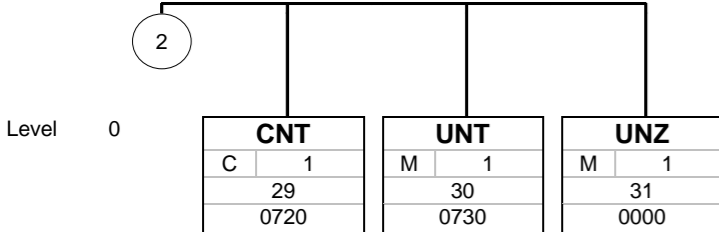
Branching Diagram of Used Segments/Groups





Tag
St MaxOcc
No
Counter

Tag = Segment/Group Tag
 St = Status (M=Mandatory, C=Conditional, R=Required, O=Optional, A=Advised, D=Dependent)
 MaxOcc = Maximum occurrence of the segment/group
 No = Consecutive segment number
 Counter = Counter of segment/group within the standard



Tag
St MaxOcc
No
Counter

Tag = Segment/Group Tag
 St = Status (M=Mandatory, C=Conditional, R=Required, O=Optional, A=Advised, D=Dependent)
 MaxOcc = Maximum occurrence of the segment/group
 No = Consecutive segment number
 Counter = Counter of segment/group within the standard

Segments

Counter No	Tag	St	MaxOcc	Level	Name	
0000	1	UNB	M	1	0	Interchange header

		Standard	Implementation		TGO	TGI	Business Rules
Tag	Name	St Format	St Format	Usage / Remark			
UNB							
S001	Syntax identifier	M	M				
0001	Syntax identifier	M a4	M a4	UNOB = UN/ECE level B	M	M	
0002	Syntax version number	M an1	M an1	4 = Version 4	M	M	
0080	Service code list directory version number	C an..6	N	Not used			
0133	Character encoding, coded	C an..3	N	Not used			
0076	Syntax release number	C an2	N	Not used			
S002	Interchange sender	M	M				
0004	Interchange sender identification	M an..35	M an..35	SARS assigned EDI Profile Code including dual code (if applicable)	M	M	
0007	Identification code qualifier	C an..4	N	Not used			
0008	Interchange sender internal identification	C an..35	C an..35	Authentication code provided by SARS for EDI profile	M	M	
0042	Interchange sender internal sub-identification	C an..35	C an..35	SARS assigned Service Provider Code (Char 1-3) Comms Protocol Code (Char 4-6) AS2 = AS/2 AS3 = AS/3 400 = X.400	M	M	
S003	Interchange recipient	M	M				
0010	Interchange recipient identification	M an..35	M an..35	SARSCAR = Production System SARSCART = Test System	M	M	
0007	Identification code qualifier	C an..4	N	Not used			
0014	Interchange recipient internal identification	C an..35	N	Not used			
0046	Interchange recipient internal sub-identification	C an..35	N	Not used			
S004	Date and time of preparation	M	M				
0017	Date	M n8	M n8		M	M	
0019	Time	M n4	M n4		M	M	
0020	Interchange control reference	M an..14	M an..14		M	M	
S005	Recipient reference/password details	C	N				
0022	Recipient reference/password	M an..14	N	Not used			
0025	Recipient reference/password qualifier	C an2	N	Not used			
0026	Application reference	C an..14	C an..14	CODECO = Container Gate In / Out Report Message	O	O	
0029	Processing priority code	C a1	N	Not used			
0031	Acknowledgement request	C n1	C n1	1 = Acknowledgement requested	O	O	
0032	Interchange agreement identifier	C an..35	C an..35	X.400 Mailbox Required for X.400			
0035	Test indicator	C n1	C n1	1 = Interchange is a test Omit if Production			

Remark:

Example:

UNB+UNOB:4+12345678ABC::ABCDEFGHIJKLMNPO:SPCAS2+X+20170917:1610+12345678901234++CODECO+1+X400 MAI LBOX'

No = Consecutive segment number
 MaxOcc = Maximum occurrence of the segment/group
 Counter = Counter of segment/group within the standard
 St = Status
 EDIFACT: M=Mandatory, C=Conditional
 User specific: M=Mandatory, O=Optional, C=Conditional

Counter No	Tag	St	MaxOcc	Level	Name	
0010	2	UNH	M	1	0	Message header

Tag	Name	Standard		Implementation		Usage / Remark	TGO	TGI	Business Rules
		St	Format	St	Format				
UNH									
0062	Message reference number	M	an..14	M	an..14		M	M	
S009	Message identifier		M		M				
0065	Message type	M	an..6	M	an..6	CODECO = Container gate-in/gate-out report message	M	M	
0052	Message version number	M	an..3	M	an..3	D = Draft version/UN/EDIFACT Directory	M	M	
0054	Message release number	M	an..3	M	an..3	16B = Release 2016 - B	M	M	
0051	Controlling agency, coded	M	an..3	M	an..3	UN = UN/CEFACT			
0057	Association assigned code	C	an..6	C	an..6	RCG001 = RCG Version 1			
0110	Code list directory version number	C	an..6	N		Not used			
0113	Message type sub-function identification	C	an..6	N		Not used			
0068	Common access reference	C	an..35	N		Not used			
S010	Status of the transfer		C		N	Not used			
0070	Sequence of transfers	M	n..2	N		Not used			
0073	First and last transfer	C	a1	N		Not used			
S016	Message subset identification		C		N	Not used			
0115	Message subset identification	M	an..14	N		Not used			
0116	Message subset version number	C	an..3	N		Not used			
0118	Message subset release number	C	an..3	N		Not used			
0051	Controlling agency, coded	C	an..3	N		Not used			
S017	Message implementation guideline identification		C		N	Not used			
0121	Message implementation guideline identification	M	an..14	N		Not used			
0122	Message implementation guideline version number	C	an..3	N		Not used			
0124	Message implementation guideline release number	C	an..3	N		Not used			
0051	Controlling agency, coded	C	an..3	N		Not used			
S018	Scenario identification		C		N	Not used			
0127	Scenario identification	M	an..14	N		Not used			
0128	Scenario version number	C	an..3	N		Not used			
0130	Scenario release number	C	an..3	N		Not used			
0051	Controlling agency, coded	C	an..3	N		Not used			

Remark:

Example:

UNH+12345678901234+CODECO:D:16B:UN:RCG001'

No = Consecutive segment number
 MaxOcc = Maximum occurrence of the segment/group
 Counter = Counter of segment/group within the standard

St = Status
 EDIFACT: M=Mandatory, C=Conditional
 User specific: M=Mandatory, O=Optional, C=Conditional

Counter No	Tag	St	MaxOcc	Level	Name
0020	3 BGM	M	1	0	Beginning of message

		Standard	Implementation		TGO	TGI	Business Rules
Tag	Name	St Format	St Format	Usage / Remark			
BGM							
C002	Document/message name	C	C				
1001	Document name code	C an..3	C an..3	DOCUMENT TYPE 36 = Gate Out Report 34 = Gate In Report			
1131	Code list identification code	C an..17	N	Not used			
3055	Code list responsible agency code	C an..3	N	Not used			
1000	Document name	C an..35	N	Not used			
C106	Document/message identification	C	C				
1004	Document identifier	C an..70	C an..35	DOCUMENT NUMBER HDR = DOCUMENT NUMBER Each document submitted must have a unique reference and will be rejected as a duplicate if the same reference is supplied more than once. A change / deletion must have a unique reference and the referenced document reference must be supplied in document to be amended (RFF+ACW).	M	M	
1056	Version identifier	C an..9	N	Not used			
1060	Revision identifier	C an..6	N	Not used			
1225	Message function code	C an..3	C an..3	MESSAGE FUNCTION 1 = Cancellation 4 = Change 9 = Original A document must be accepted before it can be amended or cancelled.	M	M	
4343	Response type code	C an..3	N	Not used			
1373	Document status code	C an..3	N	Not used			
3453	Language name code	C an..3	N	Not used			

Remark:

Example:

BGM+36+1234567890+9'

No = Consecutive segment number
 MaxOcc = Maximum occurrence of the segment/group
 Counter = Counter of segment/group within the standard
 St = Status
 EDIFACT: M=Mandatory, C=Conditional
 User specific: M=Mandatory, O=Optional, C=Conditional

Counter No	Tag	St	MaxOcc	Level	Name
0050	SG1	C	9	1	DOCUMENT TO BE AMENDED
0060	4 RFF	M	1	1	Reference

		Standard	Implementation		TGO	TGI	Business Rules
Tag	Name	St Format	St Format	Usage / Remark			
RFF							
C506	Reference	M	M				
1153	Reference code qualifier	M an..3	M an..3	ACW = Reference number to previous message			
1154	Reference identifier	C an..70	C an..35	DOCUMENT TO BE AMENDED Mandatory for changes and cancellations.	C	C	
1156	Document line identifier	C an..6	N	Not used			
1056	Version identifier	C an..9	N	Not used			
1060	Revision identifier	C an..6	N	Not used			

Remark:

Example:
RFF+ACW:123456780'

Counter No	Tag	St	MaxOcc	Level	Name
0050	SG1	C	9	1	CALL PURPOSE
0060	5 RFF	M	1	1	Reference

		Standard	Implementation		TGO	TGI	Business Rules
Tag	Name	St Format	St Format	Usage / Remark			
RFF							
C506	Reference	M	M				
1153	Reference code qualifier	M an..3	M an..3	FLW = Flow reference number			
1154	Reference identifier	C an..70	C an..3	CALL PURPOSE 16 = Unloading Cargo 17 = Loading Cargo	M	M	
1156	Document line identifier	C an..6	N	Not used			
1056	Version identifier	C an..9	N	Not used			
1060	Revision identifier	C an..6	N	Not used			

Remark:

Example:

RFF+FLW:16'

Counter No	Tag	St	MaxOcc	Level	Name
0050	SG1	C	9	1	PRINCIPAL CARRIER CONVEYANCE NUMBER
0060	6 RFF	M	1	1	Reference

		Standard	Implementation		TGO	TGI	Business Rules
Tag	Name	St Format	St Format	Usage / Remark			
RFF							
C506	Reference	M	M				
1153	Reference code qualifier	M an..3	M an..3	ACL = Principal reference number			
1154	Reference identifier	C an..70	C an..70	PRINCIPAL CARRIER CONVEYANCE NUMBER	M	M	The voyage or flight number assigned by the Carrier who owns, operates or leases the means of transport on which the goods are transported.
1156	Document line identifier	C an..6	N	Not used			
1056	Version identifier	C an..9	N	Not used			
1060	Revision identifier	C an..6	N	Not used			

Remark:

Example:

RFF+ACL:ASDF123456789'

No = Consecutive segment number
 MaxOcc = Maximum occurrence of the segment/group
 Counter = Counter of segment/group within the standard
 St = Status
 EDIFACT: M=Mandatory, C=Conditional
 User specific: M=Mandatory, O=Optional, C=Conditional

Counter No	Tag	St	MaxOcc	Level	Name
0080	SG2	C	1	1	TDT-SG3
0090	7 TDT	M	1	1	Transport information

Standard		Implementation		Usage / Remark	TGO	TGI	Business Rules
Tag	Name	St Format	St Format				
TDT							
8051	Transport stage code qualifier	M an..3	M an..3	20 = Main-carriage transport			
8028	Means of transport journey identifier	C an..17	C an..17	CONVEYANCE NUMBER	M	M	Voyage number, flight number reflected on a bill of lading or air waybill
C220	Mode of transport	C	C				
8067	Transport mode name code	C an..3	C an..3	TRANSPORT CODE 1 = Maritime transport 2 = Rail transport 3 = Road transport 4 = Air transport	M	M	
8066	Transport mode name	C an..17	N	Not used			
C001	Transport means	C	N				
8179	Transport means description code	C an..8	N	Not used			
1131	Code list identification code	C an..17	N	Not used			
3055	Code list responsible agency code	C an..3	N	Not used			
8178	Transport means description	C an..17	N	Not used			
C040	Carrier	C	C				
3127	Carrier identifier	C an..17	C an..17	CARRIER CODE	M	M	The BIC, SCAC, IATA or SARS-assigned code of the party who owns, operates or leases the means of transport on which the goods are transported.
1131	Code list identification code	C an..17	C an..17	172 = Carrier Code			
3055	Code list responsible agency code	C an..3	C an..3	20 = BIC (Bureau International des Containeurs) 87 = Assigned by carrier 166 = US, National Motor Freight Classification Association 184 = AU, ACOS (Australian Chamber of Shipping)			
3126	Carrier name	C an..35	N	Not used			
8101	Transit direction indicator code	C an..3	N	Not used			
C401	Excess transportation information	C	N				
8457	Excess transportation reason code	M an..3	N	Not used			
8459	Excess transportation responsibility code	M an..3	N	Not used			
7130	Customer shipment authorisation identifier	C an..17	N	Not used			
C222	Transport identification	C	C				
8213	Transport means identification name identifier	C an..35	C an..9	TRANSPORT ID https://tools.sars.gov.za/ACM_code_Tables/ Transport*.csv	M	M	Radio Call Sign
1131	Code list identification code	C an..17	C an..17	103 = Radio Call Sign 146 = Lloyd's Register of Ships			
3055	Code list responsible agency code	C an..3	C an..3	11 = Lloyd's register of shipping ZZZ = South African Revenue Service			
8212	Transport means identification name	C an..70	C an..35	TRANSPORT NAME	O	O	
8453	Transport means nationality code	C an..3	N	Not used			
8281	Transport means ownership indicator code	C an..3	N	Not used			
C003	Power type	C	N				
7041	Power type code	C an..3	N	Not used			
1131	Code list identification code	C an..17	N	Not used			
3055	Code list responsible agency	C an..3	N	Not used			

No = Consecutive segment number
 MaxOcc = Maximum occurrence of the segment/group
 Counter = Counter of segment/group within the standard
 St = Status
 EDIFACT: M=Mandatory, C=Conditional
 User specific: M=Mandatory, O=Optional, C=Conditional

		Standard	Implementation				
Tag	Name	St Format	St Format	Usage / Remark	TGO	TGI	Business Rules
7040	code Power type description	C an..17	N	Not used			

Remark:

Example:

TDT+20+ASDHKK6787+1++ABCD:172:20+++ASDFFT33::11:BIG SHIP'

Counter No	Tag	St	MaxOcc	Level	Name
0120	SG3	C	9	2	PLACE/PORT OF DISCHARGE
0130	LOC	M	1	2	Place/location identification

		Standard	Implementation		TGO	TGI	Business Rules
Tag	Name	St Format	St Format	Usage / Remark			
LOC							
3227	Location function code qualifier	M an..3	M an..3	11 = Place of discharge			
C517	Location identification	C	C				
3225	Location identifier	C an..35	C an5	PLACE/PORT OF DISCHARGE	M		Seaport where the cargo is discharged in the Republic
1131	Code list identification code	C an..17	C an..17	139 = Port			
3055	Code list responsible agency code	C an..3	C an..3	6 = UN/ECE (United Nations - Economic Commission for Europe)			
3224	Location name	C an..256	N	Not used			
C519	Related location one identification	C	C				
3223	First related location identifier	C an..35	C an..35	TERMINAL OF DISCHARGE/LOAD	M	M	
1131	Code list identification code	C an..17	N	Not used			
3055	Code list responsible agency code	C an..3	N	Not used			
3222	First related location name	C an..70	N	Not used			
C553	Related location two identification	C	N				
3233	Second related location identifier	C an..35	N	Not used			
1131	Code list identification code	C an..17	N	Not used			
3055	Code list responsible agency code	C an..3	N	Not used			
3232	Second related location name	C an..70	N	Not used			
5479	Relation code	C an..3	N	Not used			

Remark:

Example:

LOC+11+ZADUR:139:6+08'

Counter No	Tag	St	MaxOcc	Level	Name
0120	SG3	C	9	2	PLACE/PORT OF DISCHARGE
0140	DTM	C	9	3	ARRIVAL DATE/TIME

		Standard	Implementation		TGO	TGI	Business Rules
Tag	Name	St Format	St Format	Usage / Remark			
DTM							
C507	Date/time/period	M	M				
2005	Date or time or period function code qualifier	M an..3	M an..3	132 = Transport means arrival date time, estimated			
2380	Date or time or period text	C an..35	C n12	ARRIVAL DATE/TIME	M		
2379	Date or time or period format code	C an..3	C an..3	203 = CCYYMMDDHHMM			

Remark:

Example:
DTM+132:201709071640:203'

Counter No	Tag	St	MaxOcc	Level	Name
0120	SG3	C	9	2	PLACE/PORT OF LOADING
0130 10	LOC	M	1	2	Place/location identification

Standard		Implementation			TGO	TGI	Business Rules
Tag	Name	St Format	St Format	Usage / Remark			
LOC							
3227	Location function code qualifier	M an..3	M an..3	11 = Place of discharge			
C517	Location identification	C	C				
3225	Location identifier	C an..35	C an5	PLACE/PORT OF LOADING		M	
1131	Code list identification code	C an..17	C an..17	139 = Port			
3055	Code list responsible agency code	C an..3	C an..3	6 = UN/ECE (United Nations - Economic Commission for Europe)			
3224	Location name	C an..256	N	Not used			
C519	Related location one identification	C	C				
3223	First related location identifier	C an..35	C an..35	TERMINAL OF DISCHARGE/LOAD	M	M	
1131	Code list identification code	C an..17	N	Not used			
3055	Code list responsible agency code	C an..3	N	Not used			
3222	First related location name	C an..70	N	Not used			
C553	Related location two identification	C	N				
3233	Second related location identifier	C an..35	N	Not used			
1131	Code list identification code	C an..17	N	Not used			
3055	Code list responsible agency code	C an..3	N	Not used			
3232	Second related location name	C an..70	N	Not used			
5479	Relation code	C an..3	N	Not used			

Remark:

Example:

LOC+11+ZADUR:139:6+08'

Counter No	Tag	St	MaxOcc	Level	Name
0120	SG3	C	9	2	PLACE/PORT OF LOADING
0140 11	DTM	C	9	3	ARRIVAL DATE/TIME

		Standard	Implementation		TGO	TGI	Business Rules
Tag	Name	St Format	St Format	Usage / Remark			
DTM							
C507	Date/time/period	M	M				
2005	Date or time or period function code qualifier	M an..3	M an..3	132 = Transport means arrival date time, estimated			
2380	Date or time or period text	C an..35	C n12	ARRIVAL DATE/TIME			
2379	Date or time or period format code	C an..3	C an..3	203 = CCYYMMDDHHMM			

Remark:

Example:
DTM+132:201709071640:203'

Counter No	Tag	St	MaxOcc	Level	Name
0120	SG3	C	9	2	PLACE/PORT OF LOADING
0140 12	DTM	C	9	3	DEPARTURE DATE/TIME

		Standard	Implementation		TGO	TGI	Business Rules
Tag	Name	St Format	St Format	Usage / Remark			
DTM							
C507	Date/time/period	M	M				
2005	Date or time or period function code qualifier	M an..3	M an..3	133 = Transport means departure date/time, estimated			
2380	Date or time or period text	C an..35	C n12	DEPARTURE DATE/TIME		M	
2379	Date or time or period format code	C an..3	C an..3	203 = CCYYMMDDHHMM			

Remark:

Example:
DTM+133:201709171641:203'

Counter No	Tag	St	MaxOcc	Level	Name
0150	SG4	M	9	1	MASTER CARGO CARRIER CODE
0160 13	NAD	M	1	1	Name and address

		Standard	Implementation		TGO	TGI	Business Rules
Tag	Name	St Format	St Format	Usage / Remark			
NAD							
3035	Party function code qualifier	M an..3	M an..3	CF = Container operator/lessee			
C082	Party identification details	C	C				
3039	Party identifier	M an..35	M an17	MASTER CARGO CARRIER CODE Code list: https://tools.sars.gov.za/ACM_code_Tables/MasterCargoCarrier*.csv			• The BIC, SCAC or SARS-assigned code of the Carrier that issued the Master / Ocean Bill of Lading/ • The IATA or SARS-assigned code of the Carrier that issued the Master Air Waybill. • The SARS-assigned code of the Carrier that reports the Road Freight Manifest • The SARS-assigned code "TFR" for Transnet Freight Rail as Rail Carrier • For courier cargo where no Master Air Waybill is issued by the carrier the courier must reflect the code "000-" • The SARS-assigned code of the Broker in the case of sub-consolidations where a Master House is reported.
1131	Code list identification code	C an..17	C an..17	172 = Carrier Code			
3055	Code list responsible agency code	C an..3	C an..3	20 = BIC (Bureau International des Containeurs)			
C058	Name and address	C	N				
3124	Name and address description	M an..35	N	Not used			
3124	Name and address description	C an..35	N	Not used			
3124	Name and address description	C an..35	N	Not used			
3124	Name and address description	C an..35	N	Not used			
3124	Name and address description	C an..35	N	Not used			
C080	Party name	C	N				
3036	Party name	M an..70	N	Not used			
3036	Party name	C an..70	N	Not used			
3036	Party name	C an..70	N	Not used			
3036	Party name	C an..70	N	Not used			
3036	Party name	C an..70	N	Not used			
3045	Party name format code	C an..3	N	Not used			
C059	Street	C	N				
3042	Street and number or post office box identifier	M an..35	N	Not used			
3042	Street and number or post office box identifier	C an..35	N	Not used			
3042	Street and number or post office box identifier	C an..35	N	Not used			
3042	Street and number or post office box identifier	C an..35	N	Not used			
3164	City name	C an..35	N	Not used			
C819	Country subdivision details	C	N				
3229	Country subdivision identifier	C an..9	N	Not used			
1131	Code list identification code	C an..17	N	Not used			
3055	Code list responsible agency code	C an..3	N	Not used			
3228	Country subdivision name	C an..70	N	Not used			
3251	Postal identification code	C an..17	N	Not used			
3207	Country identifier	C an..3	N	Not used			

Remark:

Example:

NAD+CF+ABCD:172:20'

No = Consecutive segment number
 MaxOcc = Maximum occurrence of the segment/group
 Counter = Counter of segment/group within the standard
 St = Status
 EDIFACT: M=Mandatory, C=Conditional
 User specific: M=Mandatory, O=Optional, C=Conditional

Counter No	Tag	St	MaxOcc	Level	Name
0150	SG4	M	9	1	MESSAGE SENDER
0160 14	NAD	M	1	1	Name and address

		Standard	Implementation		TGO	TGI	Business Rules
Tag	Name	St Format	St Format	Usage / Remark			
NAD							
3035	Party function code qualifier	M an..3	M an..3	MS = Document/message issuer/sender			
C082	Party identification details	C	C				
3039	Party identifier	M an..35	M an..35	MESSAGE SENDER The ID of the sender of the EDI message as in UNB	M	M	
1131	Code list identification code	C an..17	N	Not used			
3055	Code list responsible agency code	C an..3	N	Not used			
C058	Name and address	C	N				
3124	Name and address description	M an..35	N	Not used			
3124	Name and address description	C an..35	N	Not used			
3124	Name and address description	C an..35	N	Not used			
3124	Name and address description	C an..35	N	Not used			
3124	Name and address description	C an..35	N	Not used			
C080	Party name	C	N				
3036	Party name	M an..70	N	Not used			
3036	Party name	C an..70	N	Not used			
3036	Party name	C an..70	N	Not used			
3036	Party name	C an..70	N	Not used			
3036	Party name	C an..70	N	Not used			
3045	Party name format code	C an..3	N	Not used			
C059	Street	C	N				
3042	Street and number or post office box identifier	M an..35	N	Not used			
3042	Street and number or post office box identifier	C an..35	N	Not used			
3042	Street and number or post office box identifier	C an..35	N	Not used			
3042	Street and number or post office box identifier	C an..35	N	Not used			
3164	City name	C an..35	N	Not used			
C819	Country subdivision details	C	N				
3229	Country subdivision identifier	C an..9	N	Not used			
1131	Code list identification code	C an..17	N	Not used			
3055	Code list responsible agency code	C an..3	N	Not used			
3228	Country subdivision name	C an..70	N	Not used			
3251	Postal identification code	C an..17	N	Not used			
3207	Country identifier	C an..3	N	Not used			

Remark:

Example:

NAD+MS+12345678ABC'

No = Consecutive segment number
 MaxOcc = Maximum occurrence of the segment/group
 Counter = Counter of segment/group within the standard

St = Status
 EDIFACT: M=Mandatory, C=Conditional
 User specific: M=Mandatory, O=Optional, C=Conditional

Counter No	Tag	St	MaxOcc	Level	Name
0150	SG4	M	9	1	OUTTURN PROVIDER CODE
0160 15	NAD	M	1	1	Name and address

		Standard	Implementation		TGO	TGI	Business Rules
Tag	Name	St Format	St Format	Usage / Remark			
NAD							
3035	Party function code qualifier	M an..3	M an..3	DC = Deconsolidator			
C082	Party identification details	C	C				
3039	Party identifier	M an..35	M an..35	OUTTURN PROVIDER CODE SARS CODE LIST 3 - Facilities Code	M	M	
1131	Code list identification code	C an..17	N	Not used			
3055	Code list responsible agency code	C an..3	N	Not used			
C058	Name and address	C	N				
3124	Name and address description	M an..35	N	Not used			
3124	Name and address description	C an..35	N	Not used			
3124	Name and address description	C an..35	N	Not used			
3124	Name and address description	C an..35	N	Not used			
3124	Name and address description	C an..35	N	Not used			
C080	Party name	C	N				
3036	Party name	M an..70	N	Not used			
3036	Party name	C an..70	N	Not used			
3036	Party name	C an..70	N	Not used			
3036	Party name	C an..70	N	Not used			
3036	Party name	C an..70	N	Not used			
3045	Party name format code	C an..3	N	Not used			
C059	Street	C	N				
3042	Street and number or post office box identifier	M an..35	N	Not used			
3042	Street and number or post office box identifier	C an..35	N	Not used			
3042	Street and number or post office box identifier	C an..35	N	Not used			
3042	Street and number or post office box identifier	C an..35	N	Not used			
3164	City name	C an..35	N	Not used			
C819	Country subdivision details	C	N				
3229	Country subdivision identifier	C an..9	N	Not used			
1131	Code list identification code	C an..17	N	Not used			
3055	Code list responsible agency code	C an..3	N	Not used			
3228	Country subdivision name	C an..70	N	Not used			
3251	Postal identification code	C an..17	N	Not used			
3207	Country identifier	C an..3	N	Not used			

Remark:

Example:

NAD+DC+07'

No = Consecutive segment number
 MaxOcc = Maximum occurrence of the segment/group
 Counter = Counter of segment/group within the standard

St = Status
 EDIFACT: M=Mandatory, C=Conditional
 User specific: M=Mandatory, O=Optional, C=Conditional

Counter No	Tag	St	MaxOcc	Level	Name
0370	SG10	M	9999	1	EQD-RFF-DTM-MEA-SEL-SG12-NAD
0380 16	EQD	M	1	1	Equipment details

		Standard	Implementation		TGO	TGI	Business Rules
Tag	Name	St Format	St Format	Usage / Remark			
EQD							
8053	Equipment type code qualifier	M an..3	M an..3	EQUIPMENT QUALIFIER CN = Container	M	M	
C237	Equipment identification	C	C				
8260	Equipment identifier	C an..17	C an..17	CONTAINER NUMBER	M	M	The container number consists of 11 digits of which the first 4 digits represent the alphabetic code and the next 7 digits represent the numeric number of the container. For rail, if containerised, insert the container number. If not containerised insert the wagon number.
1131	Code list identification code	C an..17	N	Not used			
3055	Code list responsible agency code	C an..3	N	Not used			
3207	Country identifier	C an..3	C an..3				
C224	Equipment size and type	C	C				
8155	Equipment size and type description code	C an..10	C an4	CONTAINER SIZE/TYPE	O	O	The size and type of the container. Refer to ISO 6346 / ISO 1161
1131	Code list identification code	C an..17	N	Not used			
3055	Code list responsible agency code	C an..3	N	Not used			
8154	Equipment size and type description	C an..35	N	Not used			
8077	Equipment supplier code	C an..3	N	Not used			
8249	Equipment status code	C an..3	C an..3	CONTAINER STATUS 1 = Continental 2 = Export 3 = Import 6 = Transhipment	M	M	
8169	Full or empty indicator code	C an..3	C an..3	SERVICE TYPE 4 = Empty 5 = Full 7 = Full, mixed consignment 8 = Full, single consignment	M	M	
4233	Marking instructions code	C an..3	N	Not used			

Remark:

Example:

EQD+CN+NONU1234567:::AD+1010++1+4'

No = Consecutive segment number
 MaxOcc = Maximum occurrence of the segment/group
 Counter = Counter of segment/group within the standard
 St = Status
 EDIFACT: M=Mandatory, C=Conditional
 User specific: M=Mandatory, O=Optional, C=Conditional

Counter No	Tag	St	MaxOcc	Level	Name
0370	SG10	M	9999	1	EQD-RFF-DTM-MEA-SEL-SG12-NAD
0390 17	RFF	C	99	2	BOOKING NUMBER

		Standard	Implementation		TGO	TGI	Business Rules
Tag	Name	St Format	St Format	Usage / Remark			
RFF							
C506	Reference	M	M				
1153	Reference code qualifier	M an..3	M an..3	BN = Consignment identifier, carrier assigned			
1154	Reference identifier	C an..70	C an..35	BOOKING NUMBER	M	M	
1156	Document line identifier	C an..6	N	Not used			
1056	Version identifier	C an..9	N	Not used			
1060	Revision identifier	C an..6	N	Not used			

Remark:

Example:
RFF+BN:BOOKING12345'

Counter No	Tag	St	MaxOcc	Level	Name
0370	SG10	M	9999	1	EQD-RFF-DTM-MEA-SEL-SG12-NAD
0390 18	RFF	C	99	2	EXTERNAL REFERENCE

		Standard	Implementation		TGO	TGI	Business Rules
Tag	Name	St Format	St Format	Usage / Remark			
RFF					O	O	
C506	Reference	M	M				
1153	Reference code qualifier	M an..3	M an..3	CV = Container operators reference number			
1154	Reference identifier	C an..70	C an..70	EXTERNAL REFERENCE			
1156	Document line identifier	C an..6	N	Not used			
1056	Version identifier	C an..9	N	Not used			
1060	Revision identifier	C an..6	N	Not used			

Remark:

Example:

RFF+CV:MYREF1234'

Counter No	Tag	St	MaxOcc	Level	Name
0370	SG10	M	9999	1	EQD-RFF-DTM-MEA-SEL-SG12-NAD
0390 19	RFF	C	99	2	CARGO TYPE INDICATOR

		Standard	Implementation		TGO	TGI	Business Rules
Tag	Name	St Format	St Format	Usage / Remark			
RFF							
C506	Reference	M	M				
1153	Reference code qualifier	M an..3	M an..3	AWM = Service category reference			
1154	Reference identifier	C an..70	C an..3	CARGO TYPE INDICATOR CN = Container	M	M	
1156	Document line identifier	C an..6	N	Not used			
1056	Version identifier	C an..9	N	Not used			
1060	Revision identifier	C an..6	N	Not used			

Remark:

Example:
RFF+AWM: CN'

Counter No	Tag	St	MaxOcc	Level	Name
0370	SG10	M	9999	1	EQD-RFF-DTM-MEA-SEL-SG12-NAD
0390 20	RFF	C	99	2	MASTER TRANSPORT DOCUMENT NUMBER

		Standard	Implementation		TGO	TGI	Business Rules
Tag	Name	St Format	St Format	Usage / Remark			
RFF							
C506	Reference	M	M				
1153	Reference code qualifier	M an..3	M an..3	MB = Master bill of lading number			
1154	Reference identifier	C an..70	C an..35	MASTER TRANSPORT DOCUMENT NUMBER	M	M	
1156	Document line identifier	C an..6	N	Not used			
1056	Version identifier	C an..9	N	Not used			
1060	Revision identifier	C an..6	N	Not used			

Remark:

Example:
RFF+MB:ASFH7548'

No = Consecutive segment number
 MaxOcc = Maximum occurrence of the segment/group
 Counter = Counter of segment/group within the standard
 St = Status
 EDIFACT: M=Mandatory, C=Conditional
 User specific: M=Mandatory, O=Optional, C=Conditional

Counter No	Tag	St	MaxOcc	Level	Name
0370	SG10	M	9999	1	EQD-RFF-DTM-MEA-SEL-SG12-NAD
0390 21	RFF	C	99	2	TRANSPORT DOCUMENT NUMBER

		Standard	Implementation		TGO	TGI	Business Rules
Tag	Name	St Format	St Format	Usage / Remark			
RFF							
C506	Reference	M	M				
1153	Reference code qualifier	M an..3	M an..3	AAS = Transport contract document identifier			
1154	Reference identifier	C an..70	C an..35	TRANSPORT DOCUMENT NUMBER	M	M	
1156	Document line identifier	C an..6	N	Not used			
1056	Version identifier	C an..9	N	Not used			
1060	Revision identifier	C an..6	N	Not used			

Remark:

Example:
RFF+AAS:SDFSGG665476547'

Counter No	Tag	St	MaxOcc	Level	Name
0370	SG10	M	9999	1	EQD-RFF-DTM-MEA-SEL-SG12-NAD
0410 22	DTM	C	99	2	Date/time/period

		Standard	Implementation			TGO	TGI	Business Rules
Tag	Name	St Format	St Format	Usage / Remark				
DTM								
C507	Date/time/period	M	M					
2005	Date or time or period function code qualifier	M an..3	M an..3	7 = Effective from date/time				
2380	Date or time or period text	C an..35	C n12	GATE IN/OUT DATE/TIME	M	M		
2379	Date or time or period format code	C an..3	C an..3	203 = CCYYMMDDHHMM				

Remark:

Example:
DTM+7:201709171652:203'

Counter No	Tag	St	MaxOcc	Level	Name
0370	SG10	M	9999	1	EQD-RFF-DTM-MEA-SEL-SG12-NAD
0430 23	MEA	C	99	2	Measurements

		Standard	Implementation		TGO	TGI	Business Rules
Tag	Name	St Format	St Format	Usage / Remark			
MEA							
6311	Measurement purpose code qualifier	M an..3	M an..3	AAE = Measurement			
C502	Measurement details	C	C				
6313	Measured attribute code	C an..3	C an..3	AAM = Transport means gross weight			
6321	Measurement significance code	C an..3	N	Not used			
6155	Non-discrete measurement name code	C an..17	N	Not used			
6154	Non-discrete measurement name	C an..70	N	Not used			
C174	Value/range	C	C				
6411	Measurement unit code	C an..8	C an..3	UNIT OF MEASURE KGM = kilogram			
6314	Measure	C an..18	C n..18	GROSS WEIGHT			
6162	Range minimum quantity	C n..18	N	Not used			
6152	Range maximum quantity	C n..18	N	Not used			
6432	Significant digits quantity	C n..2	N	Not used			
7383	Surface or layer code	C an..3	N	Not used			

Remark:

Example:

MEA+AAE+AAM+KGM:10000'

Counter No	Tag	St	MaxOcc	Level	Name
0370	SG10	M	9999	1	EQD-RFF-DTM-MEA-SEL-SG12-NAD
0450 24	SEL	C	4	2	Seal number

		Standard	Implementation		TGO	TGI	Business Rules
Tag	Name	St Format	St Format	Usage / Remark			
SEL							
9308	Transport unit seal identifier	C an..35	C an..35	SEAL NUMBER	M	M	
C215	Seal issuer	C	C				
9303	Sealing party name code	C an..3	C an..3	SEALING PARTY AA = Consolidator AB = Unknown AC = Quarantine agency CA = Carrier CU = Customs SH = Shipper TO = Terminal operator	O	O	
1131	Code list identification code	C an..17	N	Not used			
3055	Code list responsible agency code	C an..3	N	Not used			
9302	Sealing party name	C an..35	N	Not used			
4517	Seal condition code	C an..3	N	Not used			
C208	Identity number range	C	N				
7402	Object identifier	M an..35	N	Not used			
7402	Object identifier	C an..35	N	Not used			
4525	Seal type code	C an..3	N	Not used			

Remark:

Example:

SEL+DSFGFSFGDHK6786+AA'

Counter No	Tag	St	MaxOcc	Level	Name
0540	SG12	C	9	2	TDT-SG13
0550 25	TDT	M	1	2	Transport information

		Standard	Implementation		TGO	TGI	Business Rules
Tag	Name	St Format	St Format	Usage / Remark			
TDT							
8051	Transport stage code qualifier	M an..3	M an..3	1 = Inland transport			
8028	Means of transport journey identifier	C an..17	C an..17	ON/PRE-CONVEYANCE NUMBER <i>Required if transhipment</i>	C	C	
C220	Mode of transport	C	C				
8067	Transport mode name code	C an..3	C an..3	ON/PRE-TRANSPORT CODE <i>Required if transhipment</i> 1 = Maritime transport 2 = Rail transport 3 = Road transport 4 = Air transport	C	C	
8066	Transport mode name	C an..17	N	Not used			
C001	Transport means	C	N				
8179	Transport means description code	C an..8	N	Not used			
1131	Code list identification code	C an..17	N	Not used			
3055	Code list responsible agency code	C an..3	N	Not used			
8178	Transport means description	C an..17	N	Not used			
C040	Carrier	C	C				
3127	Carrier identifier	C an..17	C an..17	ON/PRE-CARRIER CODE <i>Required if transhipment</i> 172 = Carrier Code	C	C	
1131	Code list identification code	C an..17	C an..17				
3055	Code list responsible agency code	C an..3	N	Not used			
3126	Carrier name	C an..35	N	Not used			
8101	Transit direction indicator code	C an..3	N	Not used			
C401	Excess transportation information	C	N				
8457	Excess transportation reason code	M an..3	N	Not used			
8459	Excess transportation responsibility code	M an..3	N	Not used			
7130	Customer shipment authorisation identifier	C an..17	N	Not used			
C222	Transport identification	C	C				
8213	Transport means identification name identifier	C an..35	C an..9	ON/PRE-TRANSPORT ID <i>Required if transhipment</i>	C	C	
1131	Code list identification code	C an..17	N	Not used			
3055	Code list responsible agency code	C an..3	N	Not used			
8212	Transport means identification name	C an..70	N	Not used			
8453	Transport means nationality code	C an..3	N	Not used			
8281	Transport means ownership indicator code	C an..3	N	Not used			
C003	Power type	C	N				
7041	Power type code	C an..3	N	Not used			
1131	Code list identification code	C an..17	N	Not used			
3055	Code list responsible agency code	C an..3	N	Not used			
7040	Power type description	C an..17	N	Not used			

Remark:

No = Consecutive segment number
 MaxOcc = Maximum occurrence of the segment/group
 Counter = Counter of segment/group within the standard
 St = Status
 EDIFACT: M=Mandatory, C=Conditional
 User specific: M=Mandatory, O=Optional, C=Conditional

Example:

TDT+1+234352435+1++WXYZ+++FGHFDHYT8'

No = Consecutive segment number

MaxOcc = Maximum occurrence of the segment/group

Counter = Counter of segment/group within the standard

St = Status

EDIFACT: M=Mandatory, C=Conditional

User specific: M=Mandatory, O=Optional, C=Conditional

Counter No	Tag	St	MaxOcc	Level	Name
0580	SG13	C	9	3	LOC
0590 26	LOC	M	1	3	Place/location identification

		Standard	Implementation		TGO	TGI	Business Rules
Tag	Name	St Format	St Format	Usage / Remark			
LOC							
3227	Location function code qualifier	M an..3	M an..3				
C517	Location identification	C	C				
3225	Location identifier	C an..35	C an5	ON/PRE-PLACE OF DELIVERY <i>Required if transshipment</i>	C	C	
1131	Code list identification code	C an..17	N	Not used			
3055	Code list responsible agency code	C an..3	N	Not used			
3224	Location name	C an..256	N	Not used			
C519	Related location one identification	C	N				
3223	First related location identifier	C an..35	N	Not used			
1131	Code list identification code	C an..17	N	Not used			
3055	Code list responsible agency code	C an..3	N	Not used			
3222	First related location name	C an..70	N	Not used			
C553	Related location two identification	C	N				
3233	Second related location identifier	C an..35	N	Not used			
1131	Code list identification code	C an..17	N	Not used			
3055	Code list responsible agency code	C an..3	N	Not used			
3232	Second related location name	C an..70	N	Not used			
5479	Relation code	C an..3	N	Not used			

Remark:

Example:

LOC+1+ZARIC'

Counter No	Tag	St	MaxOcc	Level	Name
0370	SG10	M	9999	1	EQD-RFF-DTM-MEA-SEL-SG12-NAD
0610 27	NAD	C	9	2	MASTER CARGO CARRIER CODE

		Standard	Implementation		TGO	TGI	Business Rules
Tag	Name	St Format	St Format	Usage / Remark			
NAD							
3035	Party function code qualifier	M an..3	M an..3	RL = Reporting carrier (Customs)			
C082	Party identification details	C	C				
3039	Party identifier	M an..35	M an..35	MASTER CARGO CARRIER CODE Code list: https://tools.sars.gov.za/ACM_code_Tables/MasterCargoCarrier*.csv	M	M	
1131	Code list identification code	C an..17	N	Not used			
3055	Code list responsible agency code	C an..3	N	Not used			
C058	Name and address	C	N				
3124	Name and address description	M an..35	N	Not used			
3124	Name and address description	C an..35	N	Not used			
3124	Name and address description	C an..35	N	Not used			
3124	Name and address description	C an..35	N	Not used			
3124	Name and address description	C an..35	N	Not used			
C080	Party name	C	N				
3036	Party name	M an..70	N	Not used			
3036	Party name	C an..70	N	Not used			
3036	Party name	C an..70	N	Not used			
3036	Party name	C an..70	N	Not used			
3036	Party name	C an..70	N	Not used			
3045	Party name format code	C an..3	N	Not used			
C059	Street	C	N				
3042	Street and number or post office box identifier	M an..35	N	Not used			
3042	Street and number or post office box identifier	C an..35	N	Not used			
3042	Street and number or post office box identifier	C an..35	N	Not used			
3042	Street and number or post office box identifier	C an..35	N	Not used			
3164	City name	C an..35	N	Not used			
C819	Country subdivision details	C	N				
3229	Country subdivision identifier	C an..9	N	Not used			
1131	Code list identification code	C an..17	N	Not used			
3055	Code list responsible agency code	C an..3	N	Not used			
3228	Country subdivision name	C an..70	N	Not used			
3251	Postal identification code	C an..17	N	Not used			
3207	Country identifier	C an..3	N	Not used			

Remark:

Example:

NAD+RL+ABCD'

No = Consecutive segment number
 MaxOcc = Maximum occurrence of the segment/group
 Counter = Counter of segment/group within the standard

St = Status
 EDIFACT: M=Mandatory, C=Conditional
 User specific: M=Mandatory, O=Optional, C=Conditional

Counter No	Tag	St	MaxOcc	Level	Name
0370	SG10	M	9999	1	EQD-RFF-DTM-MEA-SEL-SG12-NAD
0610 28	NAD	C	9	2	CARGO CARRIER CODE

		Standard	Implementation		TGO	TGI	Business Rules
Tag	Name	St Format	St Format	Usage / Remark			
NAD							
3035	Party function code qualifier	M an..3	M an..3	CA = Carrier			
C082	Party identification details	C	C				
3039	Party identifier	M an..35	M an..35	CARGO CARRIER CODE Code list: https://tools.sars.gov.za/ACM_code_Tables/CargoCarrier*.csv	M	M	The SARS-assigned code of the Broker that reports the House Bill Of Lading/Air Waybill.
1131	Code list identification code	C an..17	N	Not used			
3055	Code list responsible agency code	C an..3	N	Not used			
C058	Name and address	C	N				
3124	Name and address description	M an..35	N	Not used			
3124	Name and address description	C an..35	N	Not used			
3124	Name and address description	C an..35	N	Not used			
3124	Name and address description	C an..35	N	Not used			
3124	Name and address description	C an..35	N	Not used			
C080	Party name	C	N				
3036	Party name	M an..70	N	Not used			
3036	Party name	C an..70	N	Not used			
3036	Party name	C an..70	N	Not used			
3036	Party name	C an..70	N	Not used			
3036	Party name	C an..70	N	Not used			
3036	Party name	C an..70	N	Not used			
3045	Party name format code	C an..3	N	Not used			
C059	Street	C	N				
3042	Street and number or post office box identifier	M an..35	N	Not used			
3042	Street and number or post office box identifier	C an..35	N	Not used			
3042	Street and number or post office box identifier	C an..35	N	Not used			
3042	Street and number or post office box identifier	C an..35	N	Not used			
3164	City name	C an..35	N	Not used			
C819	Country subdivision details	C	N				
3229	Country subdivision identifier	C an..9	N	Not used			
1131	Code list identification code	C an..17	N	Not used			
3055	Code list responsible agency code	C an..3	N	Not used			
3228	Country subdivision name	C an..70	N	Not used			
3251	Postal identification code	C an..17	N	Not used			
3207	Country identifier	C an..3	N	Not used			

Remark:

Example:

NAD+CA+WXYZ'

No = Consecutive segment number
 MaxOcc = Maximum occurrence of the segment/group
 Counter = Counter of segment/group within the standard

St = Status
 EDIFACT: M=Mandatory, C=Conditional
 User specific: M=Mandatory, O=Optional, C=Conditional

Counter	No	Tag	St	MaxOcc	Level	Name
---------	----	-----	----	--------	-------	------

0720 29 **CNT** C 1 0 Control total

		Standard	Implementation		TGO	TGI	Business Rules
Tag	Name	St Format	St Format	Usage / Remark			
CNT							
C270	Control	M	M				
6069	Control total type code qualifier	M an..3	M an..3	16 = Total number of equipment			
6066	Control total quantity	M n..18	M n..18	NUMBER OF CONTAINERS			
6411	Measurement unit code	C an..8	N	Not used			

Remark:

Example:

CNT+16:9'

Counter	No	Tag	St	MaxOcc	Level	Name
0730	30	UNT	M	1	0	Message trailer

		Standard	Implementation		TGO	TGI	Business Rules
Tag	Name	St Format	St Format	Usage / Remark			
UNT							
0074	Number of segments in a message	M n..10	M n..10		M	M	
0062	Message reference number	M an..14	M an..14	Must match UNH	M	M	

Remark:

Example:
UNT+5+12345678901234 '

No = Consecutive segment number
 MaxOcc = Maximum occurrence of the segment/group
 Counter = Counter of segment/group within the standard
 St = Status
 EDIFACT: M=Mandatory, C=Conditional
 User specific: M=Mandatory, O=Optional, C=Conditional

Counter	No	Tag	St	MaxOcc	Level	Name
0000	31	UNZ	M	1	0	Interchange trailer

		Standard	Implementation		TGO	TGI	Business Rules
Tag	Name	St Format	St Format	Usage / Remark			
UNZ							
0036	Interchange control count	M n..6	M n..6		M	M	
0020	Interchange control reference	M an..14	M an..14	Must match UNB	M	M	

Remark:

Example:

UNZ+1+X'

No = Consecutive segment number
 MaxOcc = Maximum occurrence of the segment/group
 Counter = Counter of segment/group within the standard

St = Status
 EDIFACT: M=Mandatory, C=Conditional
 User specific: M=Mandatory, O=Optional, C=Conditional