



Message Implementation Guideline

GOVGIO

based on

GOVCBR

Government Cross Border Regulatory message

UN D.16B S4

Version: 1
Variant: 0
Issue date: 2017/08/31
Author: SARS EDI

1 Message Structure.....	2
2 Branching Diagram	4
3 Segments	8

Structure / Table of Contents

Counter	No	Tag	St	MaxOcc	Level	Content
	0000	1 UNB	M	1	0	Interchange header
	0010	2 UNH	M	1	0	Message header
	0020	3 BGM	M	1	0	Beginning of message
	0060	4 RFF	M	99999	1	PRINCIPAL CARRIER CONVEYANCE NUMBER
	0120	SG1	M	99	1	PLACE/PORT OF DISCHARGE
	0130	5 LOC	M	1	1	PLACE/PORT OF DISCHARGE
	0120	SG1	C	99	1	PLACE/PORT OF LOADING
	0130	6 LOC	M	1	1	PLACE/PORT OF LOADING
	0340	SG7	M	1	1	SUBMITTER
	0350	7 NAD	M	1	1	SUBMITTER
	0390	8 IFD	C	9	2	Information detail
	0340	SG7	M	1	1	CARRIER
	0350	9 NAD	M	1	1	CARRIER
	0340	SG7	M	99	1	TERMINAL OPERATOR
	0350	10 NAD	M	1	1	TERMINAL OPERATOR
	0340	SG7	C	99	1	OUTTURN PROVIDER
	0350	11 NAD	M	1	1	OUTTURN PROVIDER
	0430	SG9	C	9999	1	DOCUMENT TO BE AMENDED
	0440	12 DOC	M	1	1	Document/message details
	0430	SG9	C	9999	1	PRINCIPAL CARRIER CONVEYANCE NUMBER
	0440	13 DOC	M	1	1	Document/message details
	1490	SG34	C	9	1	TDT-DTM-DTM-QTY-POC
	1500	14 TDT	M	1	1	Transport information
	1510	15 DTM	M	99	2	ESTIMATED DATE OF ARRIVAL
	1510	16 DTM	C	99	2	ESTIMATED DATE OF DEPARTURE
	1530	17 QTY	M	1	2	Quantity
	1560	18 POC	C	99	2	Purpose of conveyance call
	2550	19 UNS	M	1	0	Section control
	7320	20 HYN	M	1	0	Hierarchy information
	7330	SG159	C	9999	1	CONSIGNMENT DETAILS
	7340	21 CNI	M	1	1	Consignment information
	7350	22 RFF	O	99	2	EXTERNAL REFERENCE
	7350	23 RFF	M	99	2	BOOKING NUMBER
	7590	SG163	M	99	2	MASTER TRANSPORT DOCUMENT
	7600	24 DOC	M	1	2	MASTER TRANSPORT DOCUMENT
	7670	SG164	M	99	3	MASTER CARGO CARRIER CODE
	7680	25 NAD	M	1	3	MASTER CARGO CARRIER CODE
	7590	SG163	O	99	2	TRANSPORT DOCUMENT

Counter = Counter of segment/group within the standard
 No = Consecutive segment number
 MaxOcc = Maximum occurrence of the segment/group

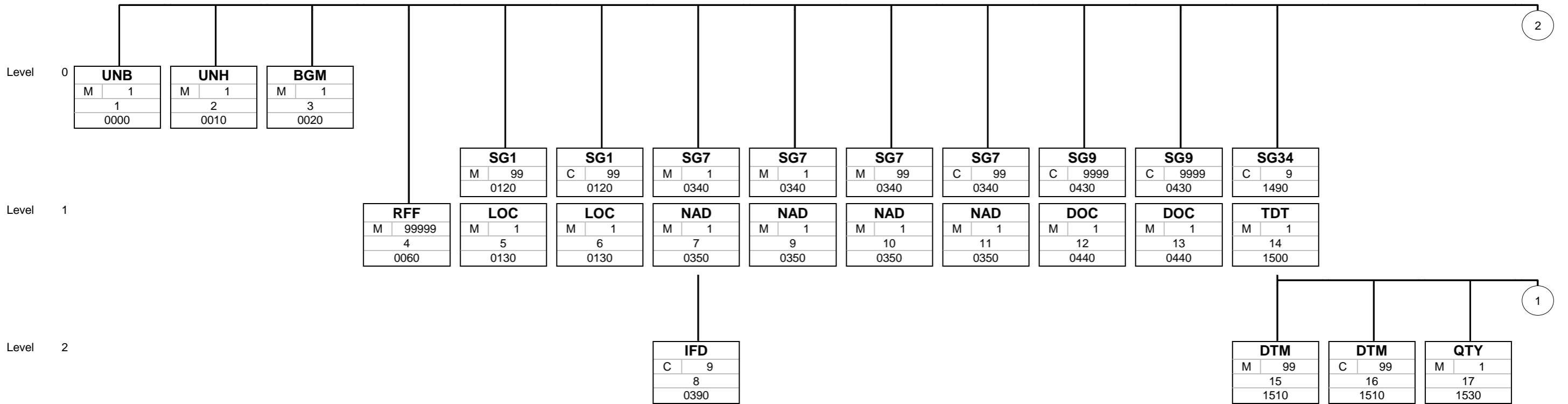
St = Status
 EDIFACT: M=Mandatory, C=Conditional
 User specific: R=Required, O=Optional, D=Dependent,
 A=Advised, N=Not used

Counter	No	Tag	St	MaxOcc	Level	Content
7600	26	DOC	O	1	2	TRANSPORT DOCUMENT
7670		SG164	O	99	3	CARGO CARRIER CODE
7680	27	NAD	O	1	3	CARGO CARRIER CODE
8200		SG177	C	9999	2	EQD-MEA-SG178-SG182
8210	28	EQD	M	1	2	Equipment details
8240	29	MEA	C	9	3	Measurements
8260		SG178	M	4	3	SEL
8270	30	SEL	M	1	3	Seal number
8390		SG182	C	99	3	DOC-GEI-SG183
8400	31	DOC	M	1	3	Document/message details
8430	32	GEI	C	9	4	Processing information
8440		SG183	C	99	4	NAD
8450	33	NAD	M	1	4	Name and address
8530		SG186	M	99	2	CARGO TYPE INDICATOR
8540	34	TDT	M	1	2	Transport information
8550	35	DTM	M	99	3	GATE IN/OUT DATE/TIME
8630	36	GDS	M	99	3	Nature of cargo
12040		SG267	O	9999	2	LIN-SG271
12050	37	LIN	O	1	2	Line item
12190		SG271	O	99	3	MRN
12200	38	DOC	O	1	3	Document/message details
13530	39	UNS	M	1	0	Section control
13560	40	UNT	M	1	0	Message trailer
0000	41	UNZ	M	1	0	Interchange trailer

Counter = Counter of segment/group within the standard
 No = Consecutive segment number
 MaxOcc = Maximum occurrence of the segment/group

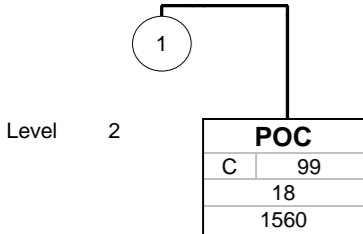
St = Status
 EDIFACT: M=Mandatory, C=Conditional
 User specific: R=Required, O=Optional, D=Dependent,
 A=Advised, N=Not used

Branching Diagram of Used Segments/Groups



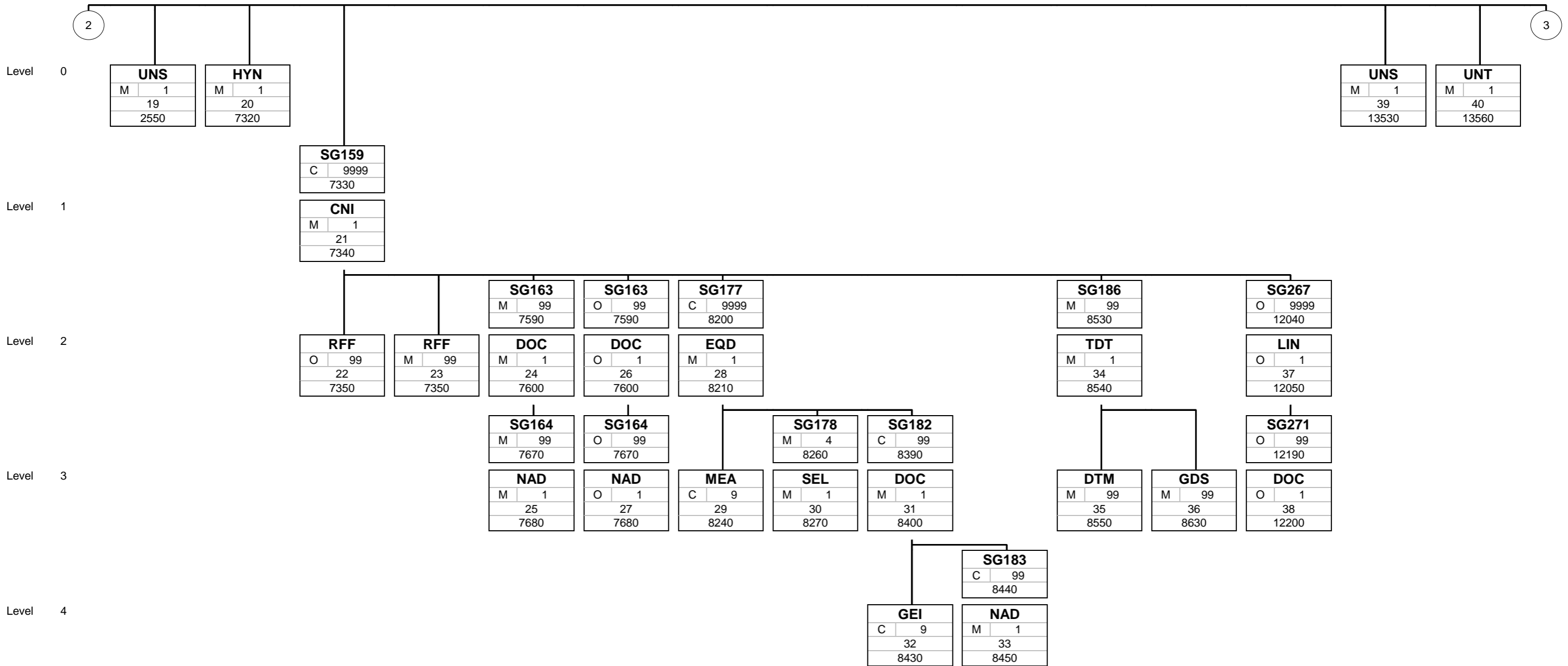
Tag
St MaxOcc
No
Counter

Tag = Segment/Group Tag
 St = Status (M=Mandatory, C=Conditional, R=Required, O=Optional, A=Advised, D=Dependent)
 MaxOcc = Maximum occurrence of the segment/group
 No = Consecutive segment number
 Counter = Counter of segment/group within the standard



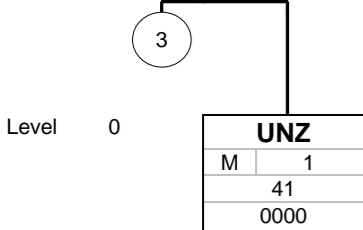
Tag
St MaxOcc
No
Counter

Tag = Segment/Group Tag
 St = Status (M=Mandatory, C=Conditional, R=Required, O=Optional, A=Advised, D=Dependent)
 MaxOcc = Maximum occurrence of the segment/group
 No = Consecutive segment number
 Counter = Counter of segment/group within the standard



Tag
St MaxOcc
No
Counter

Tag = Segment/Group Tag
 St = Status (M=Mandatory, C=Conditional, R=Required, O=Optional, A=Advised, D=Dependent)
 MaxOcc = Maximum occurrence of the segment/group
 No = Consecutive segment number
 Counter = Counter of segment/group within the standard



Tag
St MaxOcc
No
Counter

Tag = Segment/Group Tag
 St = Status (M=Mandatory, C=Conditional, R=Required, O=Optional, A=Advised, D=Dependent)
 MaxOcc = Maximum occurrence of the segment/group
 No = Consecutive segment number
 Counter = Counter of segment/group within the standard

Segments

Counter No Tag St MaxOcc Level Name

0000 1 **UNB** M 1 0 Interchange header

Tag	Name	Standard St Format	Implementation St Format	Usage / Remark	TGO	TGI	DGI	DGO	DCI	ATI	ADI	BGI	STO	STI	SBI	Business Rules
UNB																
S001	Syntax identifier	M	M													
0001	Syntax identifier	M a4	M a4	UNOB = UN/ECE level B	M	M	M	M	M	M	M	M	M	M	M	
0002	Syntax version number	M an1	M an1	4 = Version 4	M	M	M	M	M	M	M	M	M	M	M	
0080	Service code list directory version number	C an..6	N	Not used												
0133	Character encoding, coded	C an..3	N	Not used												
0076	Syntax release number	C an2	N	Not used												
S002	Interchange sender	M	M													
0004	Interchange sender identification	M an..35	M an..35	SARS assigned EDI Profile Code including dual code (if applicable)	M	M	M	M	M	M	M	M	M	M	M	
0007	Identification code qualifier	C an..4	C an..4	Authentication code provided by SARS for EDI profile												
0008	Interchange sender internal identification	C an..35	M an..35		M	M	M	M	M	M	M	M	M	M	M	
0042	Interchange sender internal sub-identification	C an..35	M an..35	SARS assigned Service Provider Code (Char 1-3) Comms Protocol Code (Char 4-6) AS2 = AS/2 AS3 = AS/3 400 = X.400	M	M	M	M	M	M	M	M	M	M	M	
S003	Interchange recipient	M	M													
0010	Interchange recipient identification	M an..35	M an..35	SARSCAR = Production System SARSCART = Test System	M	M	M	M	M	M	M	M	M	M	M	
0007	Identification code qualifier	C an..4	N	Not used												
0014	Interchange recipient internal identification	C an..35	N	Not used												
0046	Interchange recipient internal sub-identification	C an..35	N	Not used												
S004	Date and time of preparation	M	M													
0017	Date	M n8	M n8													
0019	Time	M n4	M n4													
0020	Interchange control reference	M an..14	M an..14													
S005	Recipient reference/password details	C	N													
0022	Recipient reference/password	M an..14	N	Not used												
0025	Recipient reference/password qualifier	C an2	N	Not used												
0026	Application reference	C an..14	O an..14	GOVGIO = GOVCBR - Gate In Out	O	O	O	O	O	O	O	O	O	O	O	
0029	Processing priority code	C a1	N	Not used												
0031	Acknowledgement request	C n1	C n1	1 = Acknowledgement requested												
0032	Interchange agreement identifier	C an..35	C an..35	X.400 Mailbox Required for X.400	C	C	C	C	C	C	C	C	C	C	C	
0035	Test indicator	C n1	C n1	1 = Interchange is a test Omit if Production	C	C	C	C	C	C	C	C	C	C	C	

Remark:

Example:

UNB+UNOB:4+12345678ABC::ABCDEFGHIJKLMNPO:SPCAS2+SARSCAR+20170731:1144+12345678901234++GOVGIO++1+X400MAILBOX'

No = Consecutive segment number

MaxOcc = Maximum occurrence of the segment/group

Counter = Counter of segment/group within the standard

St = Status

EDIFACT: M=Mandatory, C=Conditional

User specific: M=Mandatory, O=Optional, C=Conditional

Counter No	Tag	St	MaxOcc	Level	Name	
0010	2	UNH	M	1	0	Message header

Tag	Name	Standard		Usage / Remark	TGO	TGI	DGI	DGO	DCI	ATI	ADI	BGI	STO	STI	SBI	Business Rules
		St Format	Implementation													
UNH																
0062	Message reference number	M an..14	M an..14		M	M	M	M	M	M	M	M	M	M	M	
S009	Message identifier	M	M													
0065	Message type	M an..6	M an..6	GOVCBR = Government cross border regulatory message												
0052	Message version number	M an..3	M an..3	D = Draft version/UN/EDIFACT Directory												
0054	Message release number	M an..3	M an..3	16B = Release 2016 - B												
0051	Controlling agency, coded	M an..3	M an..3	UN = UN/CEFACT	M	M	M	M	M	M	M	M	M	M	M	
0057	Association assigned code	C an..6	C an..6	RCG001 = RCG Version 1	M	M	M	M	M	M	M	M	M	M	M	
0110	Code list directory version number	C an..6	N	Not used												
0113	Message type sub-function identification	C an..6	N	Not used												
0068	Common access reference	C an..35	C an..35	GOVGIO = Gate In / Gate Out												
S010	Status of the transfer	C	N													
0070	Sequence of transfers	M n..2	N	Not used												
0073	First and last transfer	C a1	N	Not used												
S016	Message subset identification	C	N													
0115	Message subset identification	M an..14	N	Not used												
0116	Message subset version number	C an..3	N	Not used												
0118	Message subset release number	C an..3	N	Not used												
0051	Controlling agency, coded	C an..3	N	Not used												
S017	Message implementation guideline identification	C	N													
0121	Message implementation guideline identification	M an..14	N	Not used												
0122	Message implementation guideline version number	C an..3	N	Not used												
0124	Message implementation guideline release number	C an..3	N	Not used												
0051	Controlling agency, coded	C an..3	N	Not used												
S018	Scenario identification	C	N													
0127	Scenario identification	M an..14	N	Not used												
0128	Scenario version number	C an..3	N	Not used												
0130	Scenario release number	C an..3	N	Not used												
0051	Controlling agency, coded	C an..3	N	Not used												

Remark:

Example:

UNH+12345678901234+GOVCBR:D:16B:UN:RCG001+GOVGIO'

No = Consecutive segment number
 MaxOcc = Maximum occurrence of the segment/group
 Counter = Counter of segment/group within the standard

St = Status
 EDIFACT: M=Mandatory, C=Conditional
 User specific: M=Mandatory, O=Optional, C=Conditional

Counter No	Tag	St	MaxOcc	Level	Name	
0020	3	BGM	M	1	0	Beginning of message

		Standard	Implementation		TGO	TGI	DGI	DGO	DCI	ATI	ADI	BGI	STO	STI	SBI	Business Rules
Tag	Name	St Format	St Format	Usage / Remark												
BGM																
C002	Document/message name	C	C													
1001	Document name code	C an..3	M an..3	655 = Gate pass	M	M	M	M	M	M	M	M	M	M	M	
1131	Code list identification code	C an..17	N	Not used												
3055	Code list responsible agency code	C an..3	N	Not used												
1000	Document name	C an..35	M an..3	DOCUMENT TYPE TGO = Terminal Gate Out TGI = Terminal Gate In DGI = Depot Gate In DGO = Depot Gate Out DCI = Sea Depot Consignment Gate In ATI = Air Terminal Gate In ADI = Air Depot Gate In BGI = Break Bulk Gate In STO = Rail Terminal Container Gate Out STI = Rail Terminal Container Gate In SBI = Rail Break Bulk Gate In	M	M	M	M	M	M	M	M	M	M	M	To be submitted by the operator / licensee of the terminal or depot in respect of containers or goods entering or leaving the temporary storage facility within the period prescribed by customs legislation
C106	Document/message identification	C	C													
1004	Document identifier	C an..70	M an..35	DOCUMENT NUMBER A unique reference number assigned to the electronic document.	M	M	M	M	M	M	M	M	M	M	M	
1056	Version identifier	C an..9	N	Not used												
1060	Revision identifier	C an..6	N	Not used												
1225	Message function code	C an..3	M an..3	MESSAGE FUNCTION 4 = Change [If a document is amended, the reference number of the original message must be supplied within DOCUMENT TO BE AMENDED / CANCELLED] 1 = Cancellation [If a document is cancelled, the reference number of the original message must be supplied within DOCUMENT TO BE AMENDED / CANCELLED] 9 = Original 4 = Change 1 = Cancellation	M	M	M	M	M	M	M	M	M	M	M	
4343	Response type code	C an..3	N	Not used												
1373	Document status code	C an..3	N	Not used												
3453	Language name code	C an..3	N	Not used												

Remark:

Example:

BGM+655:::TGO+1234567890+9'

Counter No	Tag	St	MaxOcc	Level	Name	
0060	4	RFF	M	99999	1	PRINCIPAL CARRIER CONVEYANCE NUMBER

		Standard	Implementation													Business Rules
Tag	Name	St Format	St Format	Usage / Remark	TGO	TGI	DGI	DGO	DCI	ATI	ADI	BGI	STO	STI	SBI	
RFF					M	M	M	M	M	M	M	M	M	M	M	
C506	Reference	M	M													
1153	Reference code qualifier	M an..3	M an..3	ACL = Principal reference number	M	M	M	M	M	M	M	M	M	M	M	
1154	Reference identifier	C an..70	M an..17	PRINCIPAL CARRIER CONVEYANCE NUMBER	M	M	M	M	M	M	M	M	M	M	M	The voyage or flight number assigned by the Carrier who owns, operates or leases the means of transport on which the goods are transported.
1156	Document line identifier	C an..6	N	Not used												
1056	Version identifier	C an..9	N	Not used												
1060	Revision identifier	C an..6	N	Not used												

Remark:

Example:

RFF+ACL: 112233445566778899'

Counter No	Tag	St	MaxOcc	Level	Name
0120	SG1	M	99	1	PLACE/PORT OF DISCHARGE
0130	5 LOC	M	1	1	PLACE/PORT OF DISCHARGE

Standard		Implementation															Business Rules
Tag	Name	St Format	St Format	Usage / Remark	TGO	TGI	DGI	DGO	DCI	ATI	ADI	BGI	STO	STI	SBI	Business Rules	
LOC					M									M			
3227	Location function code qualifier	M an..3	M an..3	11 = Place of discharge	M									M			
C517	Location identification	C	M														
3225	Location identifier	C an..35	M an..5	PLACE/PORT OF DISCHARGE	M									M			
1131	Code list identification code	C an..17	N	Not used													
3055	Code list responsible agency code	C an..3	N	Not used													
3224	Location name	C an..256	N	Not used													
C519	Related location one identification	C	N														
3223	First related location identifier	C an..35	N	Not used													
1131	Code list identification code	C an..17	N	Not used													
3055	Code list responsible agency code	C an..3	N	Not used													
3222	First related location name	C an..70	N	Not used													
C553	Related location two identification	C	N														
3233	Second related location identifier	C an..35	N	Not used													
1131	Code list identification code	C an..17	N	Not used													
3055	Code list responsible agency code	C an..3	N	Not used													
3232	Second related location name	C an..70	N	Not used													
5479	Relation code	C an..3	N	Not used													

Remark:

Example:

LOC+11+ZADUR'

Counter No	Tag	St	MaxOcc	Level	Name
0120	SG1	C	99	1	PLACE/PORT OF LOADING
0130	6 LOC	M	1	1	PLACE/PORT OF LOADING

		Standard	Implementation													
Tag	Name	St Format	St Format	Usage / Remark	TGO	TGI	DGI	DGO	DCI	ATI	ADI	BGI	STO	STI	SBI	Business Rules
LOC						M	M	M	M	M	M	M		M	M	
3227	Location function code qualifier	M an..3	M an..3	34 = Baseport of loading		M	M	M	M	M	M	M		M	M	
C517	Location identification	C	C													
3225	Location identifier	C an..35	C an..5	PLACE/PORT OF LOADING		M	M	M	M	M	M	M		M	M	
1131	Code list identification code	C an..17	N	Not used												
3055	Code list responsible agency code	C an..3	N	Not used												
3224	Location name	C an..256	N	Not used												
C519	Related location one identification	C	N													
3223	First related location identifier	C an..35	N	Not used												
1131	Code list identification code	C an..17	N	Not used												
3055	Code list responsible agency code	C an..3	N	Not used												
3222	First related location name	C an..70	N	Not used												
C553	Related location two identification	C	N													
3233	Second related location identifier	C an..35	N	Not used												
1131	Code list identification code	C an..17	N	Not used												
3055	Code list responsible agency code	C an..3	N	Not used												
3232	Second related location name	C an..70	N	Not used												
5479	Relation code	C an..3	N	Not used												

Remark:

Example:

LOC+34+GBAVO'

Counter No	Tag	St	MaxOcc	Level	Name
0340	SG7	M	1	1	SUBMITTER
0350	7 NAD	M	1	1	SUBMITTER

		Standard	Implementation													Business Rules
Tag	Name	St Format	St Format	Usage / Remark	TGO	TGI	DGI	DGO	DCI	ATI	ADI	BGI	STO	STI	SBI	
NAD					M	M	M	M	M	M	M	M	M	M	M	
3035	Party function code qualifier	M an..3	M an..3	TB = Submitter	M	M	M	M	M	M	M	M	M	M	M	
C082	Party identification details	C	M													
3039	Party identifier	M an..35	M an..35	MESSAGE SENDER The ID of the sender of the EDI message as in UNB	M	M	M	M	M	M	M	M	M	M	M	
1131	Code list identification code	C an..17	N	Not used												
3055	Code list responsible agency code	C an..3	N	Not used												
C058	Name and address	C	N													
3124	Name and address description	M an..35	N	Not used												
3124	Name and address description	C an..35	N	Not used												
3124	Name and address description	C an..35	N	Not used												
3124	Name and address description	C an..35	N	Not used												
3124	Name and address description	C an..35	N	Not used												
C080	Party name	C	N													
3036	Party name	M an..70	N	Not used												
3036	Party name	C an..70	N	Not used												
3036	Party name	C an..70	N	Not used												
3036	Party name	C an..70	N	Not used												
3036	Party name	C an..70	N	Not used												
3045	Party name format code	C an..3	N	Not used												
C059	Street	C	N													
3042	Street and number or post office box identifier	M an..35	N	Not used												
3042	Street and number or post office box identifier	C an..35	N	Not used												
3042	Street and number or post office box identifier	C an..35	N	Not used												
3042	Street and number or post office box identifier	C an..35	N	Not used												
3164	City name	C an..35	N	Not used												
C819	Country subdivision details	C	N													
3229	Country subdivision identifier	C an..9	N	Not used												
1131	Code list identification code	C an..17	N	Not used												
3055	Code list responsible agency code	C an..3	N	Not used												
3228	Country subdivision name	C an..70	N	Not used												
3251	Postal identification code	C an..17	N	Not used												
3207	Country identifier	C an..3	N	Not used												

Remark:

Example:

NAD+TB+12345678ABC'

No = Consecutive segment number
 MaxOcc = Maximum occurrence of the segment/group
 Counter = Counter of segment/group within the standard
 St = Status
 EDIFACT: M=Mandatory, C=Conditional
 User specific: M=Mandatory, O=Optional, C=Conditional

Counter No	Tag	St	MaxOcc	Level	Name
0340	SG7	M	1	1	SUBMITTER
0390	8 IFD	C	9	2	Information detail

		Standard	Implementation		TGO	TGI	DGI	DGO	DCI	ATI	ADI	BGI	STO	STI	SBI	Business Rules
Tag	Name	St Format	St Format	Usage / Remark												
IFD																
4153	Information details code qualifier	C an..3	C an..3													
C009	Information category	C	N													
4149	Information category description code	C an..3	N	Not used												
1131	Code list identification code	C an..17	N	Not used												
3055	Code list responsible agency code	C an..3	N	Not used												
4148	Information category description	C an..70	N	Not used												
C010	Information type	C	C													
4473	Information type code	C an..4	C an..4	MANIFEST TYPE 22 = Export 23 = Import 24 = Transhipment 28 = Transit				M	M	M	M				M	
1131	Code list identification code	C an..17	N	Not used												
3055	Code list responsible agency code	C an..3	N	Not used												
4472	Information type	C an..35	N	Not used												
C011	Information detail	C	N													
4151	Information detail description code	C an..17	N	Not used												
1131	Code list identification code	C an..17	N	Not used												
3055	Code list responsible agency code	C an..3	N	Not used												
4150	Information detail description	C an..256	N	Not used												
4405	Status description code	C an..3	N	Not used												

Remark:

Example:
IFD+1++X'

No = Consecutive segment number
 MaxOcc = Maximum occurrence of the segment/group
 Counter = Counter of segment/group within the standard
 St = Status
 EDIFACT: M=Mandatory, C=Conditional
 User specific: M=Mandatory, O=Optional, C=Conditional

Counter No	Tag	St	MaxOcc	Level	Name
0340	SG7	M	1	1	CARRIER
0350	9 NAD	M	1	1	CARRIER

		Standard	Implementation		TGO	TGI	DGI	DGO	DCI	ATI	ADI	BGI	STO	STI	SBI	Business Rules
Tag	Name	St Format	St Format	Usage / Remark												
NAD					M	M	M	M	M	M	M	M	M	M	M	
3035	Party function code qualifier	M an..3	M an..3	CA = Carrier	M	M	M	M	M	M	M	M	M	M	M	
C082	Party identification details	C	M													
3039	Party identifier	M an..35	M an..17	CARRIER CODE Code list: https://tools.sars.gov.za/ACM_code_Tables/Carrier*.csv	M	M	M	M	M	M	M	M	M	M	M	
1131	Code list identification code	C an..17	N	Not used												
3055	Code list responsible agency code	C an..3	N	Not used												
C058	Name and address	C	N													
3124	Name and address description	M an..35	N	Not used												
3124	Name and address description	C an..35	N	Not used												
3124	Name and address description	C an..35	N	Not used												
3124	Name and address description	C an..35	N	Not used												
3124	Name and address description	C an..35	N	Not used												
C080	Party name	C	N													
3036	Party name	M an..70	N	Not used												
3036	Party name	C an..70	N	Not used												
3036	Party name	C an..70	N	Not used												
3036	Party name	C an..70	N	Not used												
3036	Party name	C an..70	N	Not used												
3045	Party name format code	C an..3	N	Not used												
C059	Street	C	N													
3042	Street and number or post office box identifier	M an..35	N	Not used												
3042	Street and number or post office box identifier	C an..35	N	Not used												
3042	Street and number or post office box identifier	C an..35	N	Not used												
3042	Street and number or post office box identifier	C an..35	N	Not used												
3164	City name	C an..35	N	Not used												
C819	Country subdivision details	C	N													
3229	Country subdivision identifier	C an..9	N	Not used												
1131	Code list identification code	C an..17	N	Not used												
3055	Code list responsible agency code	C an..3	N	Not used												
3228	Country subdivision name	C an..70	N	Not used												
3251	Postal identification code	C an..17	N	Not used												
3207	Country identifier	C an..3	N	Not used												

Remark:

Example:

NAD+CA+WXYZ'

Counter No	Tag	St	MaxOcc	Level	Name
0340	SG7	M	99	1	TERMINAL OPERATOR
0350	10 NAD	M	1	1	TERMINAL OPERATOR

		Standard	Implementation		TGO	TGI	DGI	DGO	DCI	ATI	ADI	BGI	STO	STI	SBI	Business Rules
Tag	Name	St Format	St Format	Usage / Remark												
NAD					M	M				M		M				
3035	Party function code qualifier	M an..3	M an..3	TR = Terminal operator	M	M				M		M				
C082	Party identification details	C	M													
3039	Party identifier	M an..35	M an..25	TERMINAL/BERTH OF DISCHARGE/LOAD SARS CODE LIST 3 - Facilities Code	M	M				M		M				
1131	Code list identification code	C an..17	N	Not used												
3055	Code list responsible agency code	C an..3	N	Not used												
C058	Name and address	C	N													
3124	Name and address description	M an..35	N	Not used												
3124	Name and address description	C an..35	N	Not used												
3124	Name and address description	C an..35	N	Not used												
3124	Name and address description	C an..35	N	Not used												
3124	Name and address description	C an..35	N	Not used												
C080	Party name	C	N													
3036	Party name	M an..70	N	Not used												
3036	Party name	C an..70	N	Not used												
3036	Party name	C an..70	N	Not used												
3036	Party name	C an..70	N	Not used												
3036	Party name	C an..70	N	Not used												
3045	Party name format code	C an..3	N	Not used												
C059	Street	C	N													
3042	Street and number or post office box identifier	M an..35	N	Not used												
3042	Street and number or post office box identifier	C an..35	N	Not used												
3042	Street and number or post office box identifier	C an..35	N	Not used												
3042	Street and number or post office box identifier	C an..35	N	Not used												
3164	City name	C an..35	N	Not used												
C819	Country subdivision details	C	N													
3229	Country subdivision identifier	C an..9	N	Not used												
1131	Code list identification code	C an..17	N	Not used												
3055	Code list responsible agency code	C an..3	N	Not used												
3228	Country subdivision name	C an..70	N	Not used												
3251	Postal identification code	C an..17	N	Not used												
3207	Country identifier	C an..3	N	Not used												

Remark:

Example:

NAD+TR+08'

Counter No	Tag	St	MaxOcc	Level	Name
0340	SG7	C	99	1	OUTTURN PROVIDER
0350 11	NAD	M	1	1	OUTTURN PROVIDER

		Standard	Implementation													Business Rules
Tag	Name	St Format	St Format	Usage / Remark	TGO	TGI	DGI	DGO	DCI	ATI	ADI	BGI	STO	STI	SBI	
NAD					M	M	M	M	M	M	M	M	M	M	M	
3035	Party function code qualifier	M an..3	M an..3	DC = Deconsolidator	M	M	M	M	M	M	M	M	M	M	M	
C082	Party identification details	C	M													
3039	Party identifier	M an..35	M an..35	OUTTURN PROVIDER CODE SARS CODE LIST 3 - Facilities Code	M	M	M	M	M	M	M	M	M	M	M	
1131	Code list identification code	C an..17	N	Not used												
3055	Code list responsible agency code	C an..3	N	Not used												
C058	Name and address	C	N													
3124	Name and address description	M an..35	N	Not used												
3124	Name and address description	C an..35	N	Not used												
3124	Name and address description	C an..35	N	Not used												
3124	Name and address description	C an..35	N	Not used												
3124	Name and address description	C an..35	N	Not used												
C080	Party name	C	N													
3036	Party name	M an..70	N	Not used												
3036	Party name	C an..70	N	Not used												
3036	Party name	C an..70	N	Not used												
3036	Party name	C an..70	N	Not used												
3036	Party name	C an..70	N	Not used												
3045	Party name format code	C an..3	N	Not used												
C059	Street	C	N													
3042	Street and number or post office box identifier	M an..35	N	Not used												
3042	Street and number or post office box identifier	C an..35	N	Not used												
3042	Street and number or post office box identifier	C an..35	N	Not used												
3042	Street and number or post office box identifier	C an..35	N	Not used												
3164	City name	C an..35	N	Not used												
C819	Country subdivision details	C	N													
3229	Country subdivision identifier	C an..9	N	Not used												
1131	Code list identification code	C an..17	N	Not used												
3055	Code list responsible agency code	C an..3	N	Not used												
3228	Country subdivision name	C an..70	N	Not used												
3251	Postal identification code	C an..17	N	Not used												
3207	Country identifier	C an..3	N	Not used												

Remark:

Example:

NAD+DC+06'

No = Consecutive segment number
 MaxOcc = Maximum occurrence of the segment/group
 Counter = Counter of segment/group within the standard

St = Status
 EDIFACT: M=Mandatory, C=Conditional
 User specific: M=Mandatory, O=Optional, C=Conditional

Counter No	Tag	St	MaxOcc	Level	Name	
0430	SG9	C	9999	1	DOCUMENT TO BE AMENDED	
0440	12	DOC	M	1	1	Document/message details

		Standard	Implementation													Business Rules
Tag	Name	St Format	St Format	Usage / Remark	TGO	TGI	DGI	DGO	DCI	ATI	ADI	BGI	STO	STI	SBI	Business Rules
DOC																
C002	Document/message name	M	M													
1001	Document name code	C an..3	C an..3	998 = Previous Customs document/message												
1131	Code list identification code	C an..17	N	Not used												
3055	Code list responsible agency code	C an..3	N	Not used												
1000	Document name	C an..35	N	Not used												
C503	Document/message details	C	C													
1004	Document identifier	C an..70	C an..35	DOCUMENT TO BE AMENDED Mandatory should this message be an amendment to a previous message. 1234567890A	C	C	C	C	C	C	C	C	C	C	C	
1373	Document status code	C an..3	N	Not used												
1366	Document source description	C an..70	N	Not used												
3453	Language name code	C an..3	N	Not used												
1056	Version identifier	C an..9	N	Not used												
1060	Revision identifier	C an..6	N	Not used												
3153	Communication medium type code	C an..3	N	Not used												
1220	Document copies required quantity	C n..2	N	Not used												
1218	Document originals required quantity	C n..2	N	Not used												

Remark:

Example:

DOC+998+123456780'

Counter No	Tag	St	MaxOcc	Level	Name
0430	SG9	C	9999	1	PRINCIPAL CARRIER CONVEYANCE NUMBER
0440 13	DOC	M	1	1	Document/message details

		Standard	Implementation													Business Rules
Tag	Name	St Format	St Format	Usage / Remark	TGO	TGI	DGI	DGO	DCI	ATI	ADI	BGI	STO	STI	SBI	Business Rules
DOC																
C002	Document/message name	M	M													
1001	Document name code	C an..3	C an..3	706 = Bill of lading original												
1131	Code list identification code	C an..17	N	Not used												
3055	Code list responsible agency code	C an..3	N	Not used												
1000	Document name	C an..35	N	Not used												
C503	Document/message details	C	C													
1004	Document identifier	C an..70	M an..17	PRINCIPAL CARRIER CONVEYANCE NUMBER	M	M	M	M	M	M	M	M	M	M	M	The voyage or flight number assigned by the Carrier who owns, operates or leases the means of transport on which the goods are transported.
1373	Document status code	C an..3	N	Not used												
1366	Document source description	C an..70	N	Not used												
3453	Language name code	C an..3	N	Not used												
1056	Version identifier	C an..9	N	Not used												
1060	Revision identifier	C an..6	N	Not used												
3153	Communication medium type code	C an..3	N	Not used												
1220	Document copies required quantity	C n..2	N	Not used												
1218	Document originals required quantity	C n..2	N	Not used												

Remark:

Example:

DOC+706+ABC1234567788999'

Counter No	Tag	St	MaxOcc	Level	Name
1490	SG34	C	9	1	TDT-DTM-QTY-POC
1500 14	TDT	M	1	1	Transport information

		Standard	Implementation		TGO	TGI	DGI	DGO	DCI	ATI	ADI	BGI	STO	STI	SBI	Business Rules
Tag	Name	St Format	St Format	Usage / Remark												
TDT																
8051	Transport stage code qualifier	M an..3	M an..3	20 = Main-carriage transport												
8028	Means of transport journey identifier	C an..17	M an..17	CONVEYANCE NUMBER Voyage number, flight number, trip number etc. as assigned by the principal carrier e.g. shipping line, airline etc.	M	M	M	M	M	M	M	M	M	M	M	
C220	Mode of transport	C	C													
8067	Transport mode name code	C an..3	M an..3	TRANSPORT CODE SARS Code List 9 [Applicable numeric main carriage transport code (UN Recommendation 19). Also refer to the SARS Code List 9.] 0 = Transport mode not specified 1 = Maritime transport 2 = Rail transport 3 = Road transport 4 = Air transport 5 = Mail	M	M	M	M	M	M	M	M	M	M	M	
8066	Transport mode name	C an..17	N	Not used												
C001	Transport means	C	N													
8179	Transport means description code	C an..8	N	Not used												
1131	Code list identification code	C an..17	N	Not used												
3055	Code list responsible agency code	C an..3	N	Not used												
8178	Transport means description	C an..17	N	Not used												
C040	Carrier	C	C													
3127	Carrier identifier	C an..17	M an..9	TRANSPORT ID https://tools.sars.gov.za/ACM_code_Tables/ Transport*.csv	M	M	M	M	M							
1131	Code list identification code	C an..17	N	Not used												
3055	Code list responsible agency code	C an..3	N	Not used												
3126	Carrier name	C an..35	O an..35	TRANSPORT NAME	O	O	O	O	O							
8101	Transit direction indicator code	C an..3	N	Not used												
C401	Excess transportation information	C	N													
8457	Excess transportation reason code	M an..3	N	Not used												
8459	Excess transportation responsibility code	M an..3	N	Not used												
7130	Customer shipment authorisation identifier	C an..17	N	Not used												
C222	Transport identification	C	N													
8213	Transport means identification name identifier	C an..35	N	Not used												
1131	Code list identification code	C an..17	N	Not used												
3055	Code list responsible agency code	C an..3	N	Not used												
8212	Transport means identification name	C an..70	N	Not used												
8453	Transport means nationality code	C an..3	N	Not used												
8281	Transport means ownership indicator code	C an..3	N	Not used												
C003	Power type	C	N													
7041	Power type code	C an..3	N	Not used												
1131	Code list identification code	C an..17	N	Not used												

No = Consecutive segment number
 MaxOcc = Maximum occurrence of the segment/group
 Counter = Counter of segment/group within the standard
 St = Status
 EDIFACT: M=Mandatory, C=Conditional
 User specific: M=Mandatory, O=Optional, C=Conditional

		Standard	Implementation													
Tag	Name	St Format	St Format	Usage / Remark	TGO	TGI	DGI	DGO	DCI	ATI	ADI	BGI	STO	STI	SBI	Business Rules
3055	Code list responsible agency code	C an..3	N	Not used												
7040	Power type description	C an..17	N	Not used												

Remark:

Example:
TDT+20+ABC54321+1+:::WXYZ23'

No = Consecutive segment number
 MaxOcc = Maximum occurrence of the segment/group
 Counter = Counter of segment/group within the standard
 St = Status
 EDIFACT: M=Mandatory, C=Conditional
 User specific: M=Mandatory, O=Optional, C=Conditional

Counter No	Tag	St	MaxOcc	Level	Name
1490	SG34	C	9	1	TDT-DTM-QTY-POC
1510 15	DTM	M	99	2	ESTIMATED DATE OF ARRIVAL

		Standard	Implementation													Business Rules
Tag	Name	St Format	St Format	Usage / Remark	TGO	TGI	DGI	DGO	DCI	ATI	ADI	BGI	STO	STI	SBI	Business Rules
DTM					M			M					M			
C507	Date/time/period	M	M					M					M			
2005	Date or time or period function code qualifier	M an..3	M an..3	132 = Transport means arrival date time, estimated	M			M					M			
2380	Date or time or period text	C an..35	M n..8	ESTIMATED DATE OF ARRIVAL	M			M					M			
2379	Date or time or period format code	C an..3	M an..3	102 = CCYYMMDD	M			M					M			

Remark:

Example:
DTM+132:20170801:102'

Counter No	Tag	St	MaxOcc	Level	Name
1490	SG34	C	9	1	TDT-DTM-QTY-POC
1510 16	DTM	C	99	2	ESTIMATED DATE OF DEPARTURE

		Standard	Implementation													Business Rules
Tag	Name	St Format	St Format	Usage / Remark	TGO	TGI	DGI	DGO	DCI	ATI	ADI	BGI	STO	STI	SBI	Business Rules
DTM																
C507	Date/time/period	M	M													
2005	Date or time or period function code qualifier	M an..3	M an..3	133 = Transport means departure date/time, estimated												
2380	Date or time or period text	C an..35	C n..12	ESTIMATED DATE OF DEPARTURE <i>If outbound then Mandatory</i>		C	M		M	M	M			M	M	
2379	Date or time or period format code	C an..3	C an..3	102 = CCYYMMDD												

Remark:

Example:

DTM+133:20170801:102'

Counter No	Tag	St	MaxOcc	Level	Name
1490	SG34	C	9	1	TDT-DTM-QTY-POC
1530 17	QTY	M	1	2	Quantity

Standard		Implementation														
Tag	Name	St Format	St Format	Usage / Remark	TGO	TGI	DGI	DGO	DCI	ATI	ADI	BGI	STO	STI	SBI	Business Rules
QTY					M	M	M	M	M	M	M	M	M	M	M	
C186	Quantity details	M	M													
6063	Quantity type code qualifier	M an..3	M an..3	264 = Equipment quantity	M	M	M	M	M	M	M	M	M	M	M	
6060	Quantity	M an..35	M n..18	TOTAL NUMBER OF PACKAGES/CONTAINERS FOUND	M	M	M	M	M	M	M	M	M	M	M	
6411	Measurement unit code	C an..8	N	Not used												

Remark:

Example:
QTY+264:22'

Counter No	Tag	St	MaxOcc	Level	Name
1490	SG34	C	9	1	TDT-DTM-QTY-POC
1560 18	POC	C	99	2	Purpose of conveyance call

		Standard	Implementation													
Tag	Name	St Format	St Format	Usage / Remark	TGO	TGI	DGI	DGO	DCI	ATI	ADI	BGI	STO	STI	SBI	Business Rules
POC																
C525	Purpose of conveyance call	M	M													
8025	Conveyance call purpose description code	C an..3	M an..3	CALL PURPOSE 16 = Unloading cargo 17 = Loading cargo	M	M	M	M	M	M	M	M	M	M	M	For directionality
1131	Code list identification code	C an..17	N	Not used												
3055	Code list responsible agency code	C an..3	N	Not used												
8024	Conveyance call purpose description	C an..35	N	Not used												

Remark:

Example:

POC+16'

No = Consecutive segment number
 MaxOcc = Maximum occurrence of the segment/group
 Counter = Counter of segment/group within the standard
 St = Status
 EDIFACT: M=Mandatory, C=Conditional
 User specific: M=Mandatory, O=Optional, C=Conditional

Counter	No	Tag	St	MaxOcc	Level	Name
2550	19	UNS	M	1	0	Section control

		Standard	Implementation													
Tag	Name	St Format	St Format	Usage / Remark	TGO	TGI	DGI	DGO	DCI	ATI	ADI	BGI	STO	STI	SBI	Business Rules
UNS																
0081	Section identification	M a1	M a1	D = Header/detail section separation												

Remark:

Example:

UNS+D'

No = Consecutive segment number
 MaxOcc = Maximum occurrence of the segment/group
 Counter = Counter of segment/group within the standard
 St = Status
 EDIFACT: M=Mandatory, C=Conditional
 User specific: M=Mandatory, O=Optional, C=Conditional

Counter No	Tag	St	MaxOcc	Level	Name
------------	-----	----	--------	-------	------

7320 20 **HYN** M 1 0 Hierarchy information

		Standard	Implementation													
Tag	Name	St Format	St Format	Usage / Remark	TGO	TGI	DGI	DGO	DCI	ATI	ADI	BGI	STO	STI	SBI	Business Rules
HYN																
7173	Hierarchy object code qualifier	M an..3	M an..3	3 = No hierarchy												
7171	Hierarchical structure relationship code	C an..3	N	Not used												
1229	Action code	C an..3	N	Not used												
C212	Item number identification	C	N	Not used												
7140	Item identifier	C an..35	N	Not used												
7143	Item type identification code	C an..3	N	Not used												
1131	Code list identification code	C an..17	N	Not used												
3055	Code list responsible agency code	C an..3	N	Not used												
7166	Hierarchical structure parent identifier	C an..35	N	Not used												

Remark:

Example:
HYN+3'

No = Consecutive segment number
 MaxOcc = Maximum occurrence of the segment/group
 Counter = Counter of segment/group within the standard
 St = Status
 EDIFACT: M=Mandatory, C=Conditional
 User specific: M=Mandatory, O=Optional, C=Conditional

Counter No	Tag	St	MaxOcc	Level	Name
7330	SG159	C	9999	1	CONSIGNMENT DETAILS
7340 21	CNI	M	1	1	Consignment information

		Standard	Implementation													
Tag	Name	St Format	St Format	Usage / Remark	TGO	TGI	DGI	DGO	DCI	ATI	ADI	BGI	STO	STI	SBI	Business Rules
CNI																
1490	Consolidation item number	C n..5	C n..5	Sequence number 1..n												
C503	Document/message details	C	N													
1004	Document identifier	C an..70	N	Not used												
1373	Document status code	C an..3	N	Not used												
1366	Document source description	C an..70	N	Not used												
3453	Language name code	C an..3	N	Not used												
1056	Version identifier	C an..9	N	Not used												
1060	Revision identifier	C an..6	N	Not used												
1312	Consignment load sequence identifier	C n..4	N	Not used												

Remark:

Example:
CNI+9'

No = Consecutive segment number
 MaxOcc = Maximum occurrence of the segment/group
 Counter = Counter of segment/group within the standard
 St = Status
 EDIFACT: M=Mandatory, C=Conditional
 User specific: M=Mandatory, O=Optional, C=Conditional

Counter No	Tag	St	MaxOcc	Level	Name
7330	SG159	C	9999	1	CONSIGNMENT DETAILS
7350 22	RFF	O	99	2	EXTERNAL REFERENCE

		Standard	Implementation													Business Rules
Tag	Name	St Format	St Format	Usage / Remark	TGO	TGI	DGI	DGO	DCI	ATI	ADI	BGI	STO	STI	SBI	
RFF					O	O	O	O	O	O	O	O	O	O	O	
C506	Reference	M	O													
1153	Reference code qualifier	M an..3	O an..3	ACD = Additional reference number	O	O	O	O	O	O	O	O	O	O	O	
1154	Reference identifier	C an..70	O an..35	EXTERNAL REFERENCE	O	O	O	O	O	O	O	O	O	O	O	
1156	Document line identifier	C an..6	N	Not used												
1056	Version identifier	C an..9	N	Not used												
1060	Revision identifier	C an..6	N	Not used												

Remark:

Example:
RFF+ACD:ZZZ1234567890XXX'

No = Consecutive segment number
 MaxOcc = Maximum occurrence of the segment/group
 Counter = Counter of segment/group within the standard
 St = Status
 EDIFACT: M=Mandatory, C=Conditional
 User specific: M=Mandatory, O=Optional, C=Conditional

Counter No	Tag	St	MaxOcc	Level	Name
7330	SG159	C	9999	1	CONSIGNMENT DETAILS
7350 23	RFF	M	99	2	BOOKING NUMBER

		Standard	Implementation													Business Rules
Tag	Name	St Format	St Format	Usage / Remark	TGO	TGI	DGI	DGO	DCI	ATI	ADI	BGI	STO	STI	SBI	Business Rules
RFF					M	M										
C506	Reference	M	M													
1153	Reference code qualifier	M an..3	M an..3	SRN = Shipment reference number	M	M										
1154	Reference identifier	C an..70	M an..35	BOOKING NUMBER	M	M										
1156	Document line identifier	C an..6	N	Not used												
1056	Version identifier	C an..9	N	Not used												
1060	Revision identifier	C an..6	N	Not used												

Remark:

Example:
RFF+SRN: BK123456'

No = Consecutive segment number
 MaxOcc = Maximum occurrence of the segment/group
 Counter = Counter of segment/group within the standard
 St = Status
 EDIFACT: M=Mandatory, C=Conditional
 User specific: M=Mandatory, O=Optional, C=Conditional

Counter No	Tag	St	MaxOcc	Level	Name
7590	SG163	M	99	2	MASTER TRANSPORT DOCUMENT
7600 24	DOC	M	1	2	MASTER TRANSPORT DOCUMENT

		Standard	Implementation													Business Rules
Tag	Name	St Format	St Format	Usage / Remark	TGO	TGI	DGI	DGO	DCI	ATI	ADI	BGI	STO	STI	SBI	
DOC					M	M	M	M	M	O	O	O	O	O	O	
C002	Document/message name	M	M													
1001	Document name code	C an..3	M an..3	704 = Master bill of lading	M	M	M	M	M	O	O	O	O	O	O	
1131	Code list identification code	C an..17	N	Not used												
3055	Code list responsible agency code	C an..3	N	Not used												
1000	Document name	C an..35	N	Not used												
C503	Document/message details	C	O													
1004	Document identifier	C an..70	O an..35	MASTER TRANSPORT DOCUMENT NUMBER	O	O	O	O	M	O	O	M	O	O	O	<ul style="list-style-type: none"> In the case of sea cargo , this field will contain the Master / Ocean Bill Of Lading number. In the case of air cargo, this field will contain the Master Air Waybill Number. in the case of sub- consolidated cargo, the Master House Bill of Lading / Air Waybill number must be reflected here. For Rail, supply the Rail Consignment Note Number. For Road, this is the Manifest Number issued by the road carrier for all the goods carried on a truck.
1373	Document status code	C an..3	N	Not used												
1366	Document source description	C an..70	N	Not used												
3453	Language name code	C an..3	N	Not used												
1056	Version identifier	C an..9	N	Not used												
1060	Revision identifier	C an..6	N	Not used												
3153	Communication medium type code	C an..3	N	Not used												
1220	Document copies required quantity	C n..2	N	Not used												
1218	Document originals required quantity	C n..2	N	Not used												

Remark:

Example:

DOC+704+3434343434ASDHYT'

Counter No	Tag	St	MaxOcc	Level	Name
7670	SG164	M	99	3	MASTER CARGO CARRIER CODE
7680 25	NAD	M	1	3	MASTER CARGO CARRIER CODE

		Standard	Implementation													Business Rules
Tag	Name	St Format	St Format	Usage / Remark	TGO	TGI	DGI	DGO	DCI	ATI	ADI	BGI	STO	STI	SBI	
NAD					M	M	M	M	M	O	O	O	O	O	O	
3035	Party function code qualifier	M an..3	M an..3	MS = Document/message issuer/sender	M	M	M	M	M	O	O	O	O	O	O	
C082	Party identification details	C	M													
3039	Party identifier	M an..35	M an..35	MASTER CARGO CARRIER CODE	M	M	M	M	M	O	O	O	O	O	O	<ul style="list-style-type: none"> The BIC, SCAC or SARS-assigned code of the Carrier that issued the Master / Ocean Bill of Lading/ The IATA or SARS-assigned code of the Carrier that issued the Master Air Waybill. The SARS-assigned code of the Carrier that reports the Road Freight Manifest The SARS-assigned code "TFR" for Transnet Freight Rail as Rail Carrier For courier cargo where no Master Air Waybill is issued by the carrier the courier must reflect the code "000-" The SARS-assigned code of the Broker in the case of sub-consolidations where a Master House is reported.
1131	Code list identification code	C an..17	N	Not used												
3055	Code list responsible agency code	C an..3	N	Not used												
C058	Name and address	C	N													
3124	Name and address description	M an..35	N	Not used												
3124	Name and address description	C an..35	N	Not used												
3124	Name and address description	C an..35	N	Not used												
3124	Name and address description	C an..35	N	Not used												
3124	Name and address description	C an..35	N	Not used												
C080	Party name	C	N													
3036	Party name	M an..70	N	Not used												
3036	Party name	C an..70	N	Not used												
3036	Party name	C an..70	N	Not used												
3036	Party name	C an..70	N	Not used												
3036	Party name	C an..70	N	Not used												
3045	Party name format code	C an..3	N	Not used												
C059	Street	C	N													
3042	Street and number or post office box identifier	M an..35	N	Not used												
3042	Street and number or post office box identifier	C an..35	N	Not used												
3042	Street and number or post office box identifier	C an..35	N	Not used												
3042	Street and number or post office box identifier	C an..35	N	Not used												
3164	City name	C an..35	N	Not used												
C819	Country subdivision details	C	N													
3229	Country subdivision identifier	C an..9	N	Not used												
1131	Code list identification code	C an..17	N	Not used												
3055	Code list responsible agency code	C an..3	N	Not used												
3228	Country subdivision name	C an..70	N	Not used												
3251	Postal identification code	C an..17	N	Not used												
3207	Country identifier	C an..3	N	Not used												

Remark:

Example:

NAD+MS+ABCD'

No = Consecutive segment number

MaxOcc = Maximum occurrence of the segment/group

Counter = Counter of segment/group within the standard

St = Status

EDIFACT: M=Mandatory, C=Conditional

User specific: M=Mandatory, O=Optional, C=Conditional

Counter No	Tag	St	MaxOcc	Level	Name
7590	SG163	O	99	2	TRANSPORT DOCUMENT
7600 26	DOC	O	1	2	TRANSPORT DOCUMENT

		Standard	Implementation		TGO	TGI	DGI	DGO	DCI	ATI	ADI	BGI	STO	STI	SBI	Business Rules
Tag	Name	St Format	St Format	Usage / Remark												
DOC					O	O	O	O	M	O	O	O	O	O	O	
C002	Document/message name	M	O													
1001	Document name code	C an..3	O an..3	703 = House waybill	O	O	O	O	M	O	O	O	O	O	O	
1131	Code list identification code	C an..17	N	Not used												
3055	Code list responsible agency code	C an..3	N	Not used												
1000	Document name	C an..35	N	Not used												
C503	Document/message details	C	O													
1004	Document identifier	C an..70	O an..35	TRANSPORT DOCUMENT NUMBER	O	O	O	O	M	M	M	O	O	O	O	<ul style="list-style-type: none"> In the case of FCL and LCL cargo information submitted by the Carrier, this field will contain the Master Bill Of Lading number. In the case of FCL Groupage cargo information submitted by a Broker this field will contain the House Bill Of Lading Number. For Air, in the case of a Master Air Waybill in respect of straight cargo, the Master Air Waybill Number must be reflected here. For air, in the case of consolidated cargo, the House Air Waybill number will be reflected here. In respect of a sub-consolidations the House Bill of Lading / Air Waybill Number issued by the sub-consolidator must be reflected here. For Rail, supply the Rail Consignment Note Number. For Road, this is the Waybill/Invoice Number issued by the Carrier for an individual consignment.
1373	Document status code	C an..3	N	Not used												
1366	Document source description	C an..70	N	Not used												
3453	Language name code	C an..3	N	Not used												
1056	Version identifier	C an..9	N	Not used												
1060	Revision identifier	C an..6	N	Not used												
3153	Communication medium type code	C an..3	N	Not used												
1220	Document copies required quantity	C n..2	N	Not used												
1218	Document originals required quantity	C n..2	N	Not used												

Remark:

Example:

DOC+703+ASTT53465547'

Counter No	Tag	St	MaxOcc	Level	Name
7670	SG164	O	99	3	CARGO CARRIER CODE
7680 27	NAD	O	1	3	CARGO CARRIER CODE

		Standard	Implementation		TGO	TGI	DGI	DGO	DCI	ATI	ADI	BGI	STO	STI	SBI	Business Rules
Tag	Name	St Format	St Format	Usage / Remark												
NAD					O	O	O	O	M	O	O	O	O	O	O	
3035	Party function code qualifier	M an..3	O an..3	MS = Document/message issuer/sender	O	O	O	O	M	O	O	O	O	O	O	
C082	Party identification details	C	O													
3039	Party identifier	M an..35	O an..35	CARGO CARRIER CODE Code list: https://tools.sars.gov.za/ACM_code_Tables/CargoCarrier*.csv	O	O	O	O	M	O	O	O	O	O	O	The SARS-assigned code of the Broker that reports the House Bill Of Lading/Air Waybill.
1131	Code list identification code	C an..17	N	Not used												
3055	Code list responsible agency code	C an..3	N	Not used												
C058	Name and address	C	N													
3124	Name and address description	M an..35	N	Not used												
3124	Name and address description	C an..35	N	Not used												
3124	Name and address description	C an..35	N	Not used												
3124	Name and address description	C an..35	N	Not used												
3124	Name and address description	C an..35	N	Not used												
C080	Party name	C	N													
3036	Party name	M an..70	N	Not used												
3036	Party name	C an..70	N	Not used												
3036	Party name	C an..70	N	Not used												
3036	Party name	C an..70	N	Not used												
3036	Party name	C an..70	N	Not used												
3036	Party name	C an..70	N	Not used												
3045	Party name format code	C an..3	N	Not used												
C059	Street	C	N													
3042	Street and number or post office box identifier	M an..35	N	Not used												
3042	Street and number or post office box identifier	C an..35	N	Not used												
3042	Street and number or post office box identifier	C an..35	N	Not used												
3042	Street and number or post office box identifier	C an..35	N	Not used												
3164	City name	C an..35	N	Not used												
C819	Country subdivision details	C	N													
3229	Country subdivision identifier	C an..9	N	Not used												
1131	Code list identification code	C an..17	N	Not used												
3055	Code list responsible agency code	C an..3	N	Not used												
3228	Country subdivision name	C an..70	N	Not used												
3251	Postal identification code	C an..17	N	Not used												
3207	Country identifier	C an..3	N	Not used												

Remark:

Example:

NAD+MS+4444555'

No = Consecutive segment number
 MaxOcc = Maximum occurrence of the segment/group
 Counter = Counter of segment/group within the standard
 St = Status
 EDIFACT: M=Mandatory, C=Conditional
 User specific: M=Mandatory, O=Optional, C=Conditional

Counter No	Tag	St	MaxOcc	Level	Name
8200	SG177	C	9999	2	EQD-MEA-SG178-SG182
8210 28	EQD	M	1	2	Equipment details

		Standard	Implementation													Business Rules
Tag	Name	St Format	St Format	Usage / Remark	TGO	TGI	DGI	DGO	DCI	ATI	ADI	BGI	STO	STI	SBI	Business Rules
EQD																
8053	Equipment type code qualifier	M an..3	M an..3	CN = Container RR = Rail car UL = ULD (Unit load device)	M	M	M	M		M	M	M	M	M	M	
C237	Equipment identification	C	C													
8260	Equipment identifier	C an..17	M an..17	CONTAINER NUMBER/WAGON NUMBER/TRANSPORT EQUIPMENT NUMBER	M	M	M	M		O	O	O	M	M	M	
1131	Code list identification code	C an..17	N	Not used												
3055	Code list responsible agency code	C an..3	N	Not used												
3207	Country identifier	C an..3	N	Not used												
C224	Equipment size and type	C	C													
8155	Equipment size and type description code	C an..10	O an..4	CONTAINER SIZE/TYPE	O	O	O	O					O	O		
1131	Code list identification code	C an..17	N	Not used												
3055	Code list responsible agency code	C an..3	N	Not used												
8154	Equipment size and type description	C an..35	N	Not used												
8077	Equipment supplier code	C an..3	N	Not used												
8249	Equipment status code	C an..3	M an..3	CONTAINER STATUS/LANDED PURPOSE 2 = Export 3 = Import 6 = Transshipment	M	M	M	M					M	M		
8169	Full or empty indicator code	C an..3	M an..3	SERVICE TYPE 4 = Empty [Used to indicate the status of the container.] 4 = Empty 5 = Full (FCL) 7 = Full, mixed consignment (LCL) 8 = Full (Use for FCL Groupage) 4 = Empty 5 = Full	M	M	M	M					M	M		
4233	Marking instructions code	C an..3	N	Not used												

Remark:

Example:

EQD+CN+NONU-1234567+16G0++3+4'

No = Consecutive segment number
 MaxOcc = Maximum occurrence of the segment/group
 Counter = Counter of segment/group within the standard
 St = Status
 EDIFACT: M=Mandatory, C=Conditional
 User specific: M=Mandatory, O=Optional, C=Conditional

Counter No	Tag	St	MaxOcc	Level	Name
8200	SG177	C	9999	2	EQD-MEA-SG178-SG182
8240 29	MEA	C	9	3	Measurements

Standard		Implementation														
Tag	Name	St Format	St Format	Usage / Remark	TGO	TGI	DGI	DGO	DCI	ATI	ADI	BGI	STO	STI	SBI	Business Rules
MEA																
6311	Measurement purpose code qualifier	M an..3	M an..3	AAE = Measurement												
C502	Measurement details	C	C													
6313	Measured attribute code	C an..3	C an..3	AAM = Transport means gross weight												
6321	Measurement significance code	C an..3	N	Not used												
6155	Non-discrete measurement name code	C an..17	N	Not used												
6154	Non-discrete measurement name	C an..70	N	Not used												
C174	Value/range	C	C													
6411	Measurement unit code	C an..8	O an..3	UNIT OF MEASURE KGM = kilogram	O	O	O	O					O	O		
6314	Measure	C an..18	O n..18	GROSS MASS/WEIGHT	O	O	O	O					O	O		
6162	Range minimum quantity	C n..18	N	Not used												
6152	Range maximum quantity	C n..18	N	Not used												
6432	Significant digits quantity	C n..2	N	Not used												
7383	Surface or layer code	C an..3	N	Not used												

Remark:

Example:

MEA+AAE+AAM+KGM: 2500'

Counter No	Tag	St	MaxOcc	Level	Name
8260	SG178	M	4	3	SEL
8270 30	SEL	M	1	3	Seal number

		Standard	Implementation		TGO	TGI	DGI	DGO	DCI	ATI	ADI	BGI	STO	STI	SBI	Business Rules
Tag	Name	St Format	St Format	Usage / Remark												
SEL					M	M	M	M	M	M	M	M	M	M	M	
9308	Transport unit seal identifier	C an..35	M an..35	SEAL NUMBER-1	M	M	M	M					M	M		
C215	Seal issuer	C	C													
9303	Sealing party name code	C an..3	O an..3	SEALING PARTY-1 SH = Shipper [Seal as assigned by the Shipping Line.] TO = Terminal operator [On imports, the Seal Number assigned by the Terminal Operator should the Shipper's Seal be damaged.] AA = Consolidator [There will always be two occurrences with the AA qualifier. The first occurrence must always contain the Seal Number found on arrival at the Depot. The second occurrence must contain the Seal Number on unpacking the container. Both these Seal Numbers are mandatory.] CA = Carrier CU = Customs SH = Shipper TO = Terminal operator AA = Consolidator	O	O	O	O						O	O	
1131	Code list identification code	C an..17	N	Not used												
3055	Code list responsible agency code	C an..3	N	Not used												
9302	Sealing party name	C an..35	N	Not used												
4517	Seal condition code	C an..3	N	Not used												
C208	Identity number range	C	N													
7402	Object identifier	M an..35	N	Not used												
7402	Object identifier	C an..35	N	Not used												
4525	Seal type code	C an..3	N	Not used												

Remark:

Example:

SEL+ASDF335643656+SH'

No = Consecutive segment number
 MaxOcc = Maximum occurrence of the segment/group
 Counter = Counter of segment/group within the standard
 St = Status
 EDIFACT: M=Mandatory, C=Conditional
 User specific: M=Mandatory, O=Optional, C=Conditional

Counter No	Tag	St	MaxOcc	Level	Name
8390	SG182	C	99	3	DOC-GEI-SG183
8400 31	DOC	M	1	3	Document/message details

		Standard	Implementation													Business Rules
Tag	Name	St Format	St Format	Usage / Remark	TGO	TGI	DGI	DGO	DCI	ATI	ADI	BGI	STO	STI	SBI	Business Rules
DOC																
C002	Document/message name	M	M													
1001	Document name code	C an..3	C an..17	Required for transshipment 760 = Multimodal/combined transport document (generic)	C	C										
1131	Code list identification code	C an..17	N	Not used												
3055	Code list responsible agency code	C an..3	N	Not used												
1000	Document name	C an..35	N	Not used												
C503	Document/message details	C	C													
1004	Document identifier	C an..70	C an..70	ON/PRE-CONVEYANCE NUMBER												
1373	Document status code	C an..3	N	Not used												
1366	Document source description	C an..70	C an..70	ON/PRE-TRANSPORT ID Required if transshipment	C	C										
3453	Language name code	C an..3	N	Not used												
1056	Version identifier	C an..9	C an..9													
1060	Revision identifier	C an..6	N	Not used												
3153	Communication medium type code	C an..3	N	Not used												
1220	Document copies required quantity	C n..2	N	Not used												
1218	Document originals required quantity	C n..2	N	Not used												

Remark:

Example:

DOC+760+X: : : X'

Counter No	Tag	St	MaxOcc	Level	Name
8390	SG182	C	99	3	DOC-GEI-SG183
8430 32	GEI	C	9	4	Processing information

Standard		Implementation														Business Rules
Tag	Name	St Format	St Format	Usage / Remark	TGO	TGI	DGI	DGO	DCI	ATI	ADI	BGI	STO	STI	SBI	Business Rules
GEI																
9649	Processing information code qualifier	M an..3	M an..3	5 = Consignment type information												
C012	Processing indicator	C	C													
7365	Processing indicator description code	C an..3	C an..3	ON/PRE-TRANSPORT CODE <i>Required if transshipment</i> 1 = Maritime 2 = Rail 3 = Road 4 = Air	C	C										
1131	Code list identification code	C an..17	N	Not used												
3055	Code list responsible agency code	C an..3	N	Not used												
7364	Processing indicator description	C an..35	N	Not used												
7187	Process type description code	C an..17	N	Not used												

Remark:

Example:

GEI+5+1'

Counter No	Tag	St	MaxOcc	Level	Name
8440	SG183	C	99	4	NAD
8450 33	NAD	M	1	4	Name and address

Standard		Implementation															Business Rules
Tag	Name	St Format	St Format	Usage / Remark	TGO	TGI	DGI	DGO	DCI	ATI	ADI	BGI	STO	STI	SBI	Business Rules	
NAD																	
3035	Party function code qualifier	M an..3	M an..3	CA = Carrier													
C082	Party identification details	C	C														
3039	Party identifier	M an..35	C an..17	ON/PRE-CARRIER CODE <i>Required if transshipment</i>	C	C											
1131	Code list identification code	C an..17	N	Not used													
3055	Code list responsible agency code	C an..3	N	Not used													
C058	Name and address	C	C														
3124	Name and address description	M an..35	C an5	ON/PRE-PLACE OF DELIVERY <i>Required if transshipment</i>	C	C											
3124	Name and address description	C an..35	N	Not used													
3124	Name and address description	C an..35	N	Not used													
3124	Name and address description	C an..35	N	Not used													
3124	Name and address description	C an..35	N	Not used													
C080	Party name	C	N														
3036	Party name	M an..70	N	Not used													
3036	Party name	C an..70	N	Not used													
3036	Party name	C an..70	N	Not used													
3036	Party name	C an..70	N	Not used													
3036	Party name	C an..70	N	Not used													
3045	Party name format code	C an..3	N	Not used													
C059	Street	C	N														
3042	Street and number or post office box identifier	M an..35	N	Not used													
3042	Street and number or post office box identifier	C an..35	N	Not used													
3042	Street and number or post office box identifier	C an..35	N	Not used													
3042	Street and number or post office box identifier	C an..35	N	Not used													
3164	City name	C an..35	N	Not used													
C819	Country subdivision details	C	N														
3229	Country subdivision identifier	C an..9	N	Not used													
1131	Code list identification code	C an..17	N	Not used													
3055	Code list responsible agency code	C an..3	N	Not used													
3228	Country subdivision name	C an..70	N	Not used													
3251	Postal identification code	C an..17	N	Not used													
3207	Country identifier	C an..3	N	Not used													

Remark:

Example:

NAD+CA+DFGH+X'

No = Consecutive segment number
 MaxOcc = Maximum occurrence of the segment/group
 Counter = Counter of segment/group within the standard
 St = Status
 EDIFACT: M=Mandatory, C=Conditional
 User specific: M=Mandatory, O=Optional, C=Conditional

Counter No	Tag	St	MaxOcc	Level	Name
8530	SG186	M	99	2	CARGO TYPE INDICATOR
8540 34	TDT	M	1	2	Transport information

		Standard	Implementation													Business Rules
Tag	Name	St Format	St Format	Usage / Remark	TGO	TGI	DGI	DGO	DCI	ATI	ADI	BGI	STO	STI	SBI	
TDT					M	M	M	M	M	M	M	M	M	M	M	
8051	Transport stage code qualifier	M an..3	M an..3	20 = Main-carriage transport												
8028	Means of transport journey identifier	C an..17	N	Not used												
C220	Mode of transport	C	N													
8067	Transport mode name code	C an..3	N	Not used												
8066	Transport mode name	C an..17	N	Not used												
C001	Transport means	C	N													
8179	Transport means description code	C an..8	N	Not used												
1131	Code list identification code	C an..17	N	Not used												
3055	Code list responsible agency code	C an..3	N	Not used												
8178	Transport means description code	C an..17	N	Not used												
C040	Carrier	C	N													
3127	Carrier identifier	C an..17	N	Not used												
1131	Code list identification code	C an..17	N	Not used												
3055	Code list responsible agency code	C an..3	N	Not used												
3126	Carrier name	C an..35	N	Not used												
8101	Transit direction indicator code	C an..3	N	Not used												
C401	Excess transportation information	C	N													
8457	Excess transportation reason code	M an..3	N	Not used												
8459	Excess transportation responsibility code	M an..3	N	Not used												
7130	Customer shipment authorisation identifier	C an..17	N	Not used												
C222	Transport identification	C	N													
8213	Transport means identification name identifier	C an..35	N	Not used												
1131	Code list identification code	C an..17	N	Not used												
3055	Code list responsible agency code	C an..3	N	Not used												
8212	Transport means identification name	C an..70	N	Not used												
8453	Transport means nationality code	C an..3	N	Not used												
8281	Transport means ownership indicator code	C an..3	N	Not used												
C003	Power type	C	N													
7041	Power type code	C an..3	N	Not used												
1131	Code list identification code	C an..17	N	Not used												
3055	Code list responsible agency code	C an..3	N	Not used												
7040	Power type description	C an..17	N	Not used												

Remark:

Example:

TDT+20'

No = Consecutive segment number
 MaxOcc = Maximum occurrence of the segment/group
 Counter = Counter of segment/group within the standard

St = Status
 EDIFACT: M=Mandatory, C=Conditional
 User specific: M=Mandatory, O=Optional, C=Conditional

Counter No	Tag	St	MaxOcc	Level	Name
8530	SG186	M	99	2	CARGO TYPE INDICATOR
8550 35	DTM	M	99	3	GATE IN/OUT DATE/TIME

		Standard	Implementation													Business Rules
Tag	Name	St Format	St Format	Usage / Remark	TGO	TGI	DGI	DGO	DCI	ATI	ADI	BGI	STO	STI	SBI	Business Rules
DTM					M	M	M	M	M	M	M	M	M	M	M	
C507	Date/time/period	M	M													
2005	Date or time or period function code qualifier	M an..3	M an..3	6 = Moved from location date	M	M	M	M	M	M	M	M	M	M	M	
2380	Date or time or period text	C an..35	M n..12	GATE IN/OUT DATE/TIME	M	M	M	M	M	M	M	M	M	M	M	
2379	Date or time or period format code	C an..3	M an..3	203 = CCYYMMDDHHMM	M	M	M	M	M	M	M	M	M	M	M	

Remark:

Example:

DTM+6:201708011200:203'

Counter No	Tag	St	MaxOcc	Level	Name
8530	SG186	M	99	2	CARGO TYPE INDICATOR
8630 36	GDS	M	99	3	Nature of cargo

Standard		Implementation														
Tag	Name	St Format	St Format	Usage / Remark	TGO	TGI	DGI	DGO	DCI	ATI	ADI	BGI	STO	STI	SBI	Business Rules
GDS																
C703	Nature of cargo	C	M		M	M	M	M	M	M	M	M	M	M	M	
7085	Cargo type classification code	M an..3	M an..3	CARGO TYPE INDICATOR DB = Dry bulk LB = Liquid bulk BB = Break Bulk CN = Container MX = Mixed Cargo ZZZ = South African Revenue Service	M	M	M	M	M	M	M	M	M	M	M	
1131	Code list identification code	C an..17	C an..17													
3055	Code list responsible agency code	C an..3	N	Not used												
C288	Product group	C	N													
5389	Product group name code	C an..25	N	Not used												
1131	Code list identification code	C an..17	N	Not used												
3055	Code list responsible agency code	C an..3	N	Not used												
5388	Product group name	C an..35	N	Not used												

Remark:

Example:

GDS+CN:ZZZ'

Counter No	Tag	St	MaxOcc	Level	Name
12040	SG267	O	9999	2	LIN-SG271
12050 37	LIN	O	1	2	Line item

		Standard	Implementation													Business Rules
Tag	Name	St Format	St Format	Usage / Remark	TGO	TGI	DGI	DGO	DCI	ATI	ADI	BGI	STO	STI	SBI	Business Rules
LIN					O	M	M	O	M	M	M	M	O	M	M	
1082	Line item identifier	C an..6	C an..6	Sequence Number 1..n												
1229	Action code	C an..3	N	Not used												
C212	Item number identification	C	N													
7140	Item identifier	C an..35	N	Not used												
7143	Item type identification code	C an..3	N	Not used												
1131	Code list identification code	C an..17	N	Not used												
3055	Code list responsible agency code	C an..3	N	Not used												
C829	Sub-line information	C	N													
5495	Sub-line indicator code	C an..3	N	Not used												
1082	Line item identifier	C an..6	N	Not used												
1222	Configuration level number	C n..2	N	Not used												
7083	Configuration operation code	C an..3	N	Not used												

Remark:

Example:

LIN+1 '

Counter No	Tag	St	MaxOcc	Level	Name
12190	SG271	O	99	3	MRN
12200 38	DOC	O	1	3	Document/message details

		Standard	Implementation													Business Rules
Tag	Name	St Format	St Format	Usage / Remark	TGO	TGI	DGI	DGO	DCI	ATI	ADI	BGI	STO	STI	SBI	
DOC					O	M	M	O	M	M	M	M	O	M	M	
C002	Document/message name	M	O													
1001	Document name code	C an..3	O an..3	914 = Customs declaration with commercial and item detail	O	M	M	O	M	M	M	M	O	M	M	
1131	Code list identification code	C an..17	N	Not used												
3055	Code list responsible agency code	C an..3	N	Not used												
1000	Document name	C an..35	N	Not used												
C503	Document/message details	C	O													
1004	Document identifier	C an..70	C an..35	MRN			M	O	M	M	M	M	O	M	M	
1373	Document status code	C an..3	N	Not used												
1366	Document source description	C an..70	N	Not used												
3453	Language name code	C an..3	N	Not used												
1056	Version identifier	C an..9	N	Not used												
1060	Revision identifier	C an..6	N	Not used												
3153	Communication medium type code	C an..3	N	Not used												
1220	Document copies required quantity	C n..2	N	Not used												
1218	Document originals required quantity	C n..2	N	Not used												

Remark:

Example:

DOC+914+DBN201708011234567'

Counter	No	Tag	St	MaxOcc	Level	Name
13530	39	UNS	M	1	0	Section control

		Standard	Implementation													
Tag	Name	St Format	St Format	Usage / Remark	TGO	TGI	DGI	DGO	DCI	ATI	ADI	BGI	STO	STI	SBI	Business Rules
UNS																
0081	Section identification	M a1	M a1	S = Detail/summary section separation												

Remark:

Example:

UNS+S'

No = Consecutive segment number
 MaxOcc = Maximum occurrence of the segment/group
 Counter = Counter of segment/group within the standard
 St = Status
 EDIFACT: M=Mandatory, C=Conditional
 User specific: M=Mandatory, O=Optional, C=Conditional

Counter	No	Tag	St	MaxOcc	Level	Name
13560	40	UNT	M	1	0	Message trailer

		Standard	Implementation													
Tag	Name	St Format	St Format	Usage / Remark	TGO	TGI	DGI	DGO	DCI	ATI	ADI	BGI	STO	STI	SBI	Business Rules
UNT																
0074	Number of segments in a message	M n..10	M n..10													
0062	Message reference number	M an..14	M an..14	Must match UNH												

Remark:
Example:
 UNT+1050+12345678901234'

Counter	No	Tag	St	MaxOcc	Level	Name
0000	41	UNZ	M	1	0	Interchange trailer

		Standard	Implementation													
Tag	Name	St Format	St Format	Usage / Remark	TGO	TGI	DGI	DGO	DCI	ATI	ADI	BGI	STO	STI	SBI	Business Rules
UNZ																
0036	Interchange control count	M n..6	M n..6	Number of messages in Interchange												
0020	Interchange control reference	M an..14	M an..14	Must be same as UNB												

Remark:
Example:
 UNZ+1+12345678901234'